

DESCRIPTION

- Aluminium profile 200 mm tube
- Die-cast aluminium cap
- Polycarbonate bowl
- Polyester powder coating finish, choice of colours
- IP66 Module / IK10 - 60 joules / Class I or II
- Weight: 14,2 kg
- **ORALENS** mono lenses, ECL and EAH distribution
- Specific LED source
- Colour temperatures: 4000K and 3000K

CITIZEN REFERENCE POINTS

- Materials used: Aluminium 60%, Steel 28%, Plastic 7%, Other 5%
- Complies with the RoHS directive
- ULR<1%
- High recyclability rate

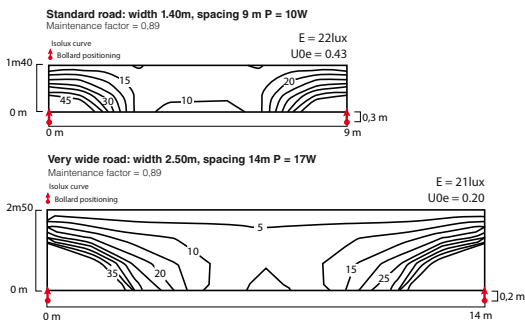
INSTALLATION

- Cast iron base
- Internal fixing using 3 anchor rods, Ø 12 mm on Ø 134 mm

MAINTENANCE

- Access to the LED module and equipment by removal of the profiled tube

PHOTOMETRIC DISTRIBUTIONS



TEAM

POLEDRIVE (set in the bottom of the pole)	○
Dimming 5 (preset)	○
DALI (preset)	○
FC	Compatible with standard version, Dimming 5 or DALI option

Glossary:

● Standard ○ Option - Not available

EAH: Dedicated LED module for accessibility of disabled persons (PMR), **POLEDRIVE:** preset at the bottom of the pole / night dimming calculator with 2 configurable thresholds, set in the bottom of the pole, **Dimming 5:** night dimming calculator with 5 configurable thresholds, **DALI:** compatible with the DALI protocol, **FC:** Compensated flux

DESCRIPTION

- Lit bollard
- Tube in aluminium profile, Ø 200mm
- Die cast aluminium cap
- Polyester powder coating, any colour available
- Silicone gasket
- IK07
- Class I or II
- Aluminium cooling system
- Control gear integrated on a removable tray
- IP66 module
- Colour temperature: 4000 K
- Total power consumption: 13 W

INSTALLATION

- Cast iron bottom
- Internal fixation with 3 anchor bolts, Ø 12 mm sur Ø 134 mm



GHM Eclatec BV

Brabantsestraat 16
3074 RS Rotterdam
T 010-4321132
F 010-4324148
E info@ghm-eclatec.nl
I www.ghm-eclatec.nl
IBAN NL93RABO0159582490
BTW NL 850918066B01
Onderdeel van de GHM groep

Stabanken

Boomkorsetten

Banken

Fonteinen

Zuilen

Hekwerk

Led verlichting

Houten lichtmasten

Autonome verlichting

Lichtzuilen

Kiosken

Boomroosters

Plantenbakken

Fietsrekken

Klassieke lichtmasten

Openbare verlichting ***Signalisatie***

Terrein verlichting ***Afzetpalen***

Standbeelden / Kunst

Auteursrechten en intellectuele eigendomsrechten

Het auteursrecht op deze brochure berust bij GHM Eclatec B.V. of bij derden (GHM SA en Eclatec SAS) welke met toestemming dit (beeld)materiaal beschikbaar hebben gesteld aan GHM Eclatec B.V. Vermenigvuldiging in wat voor vorm dan ook is alleen toegestaan na voorafgaande toestemming door GHM Eclatec B.V. Copyright © 2013 GHM Eclatec B.V. Foto credits: ©Eclatec, ©Fotolia, ©Shutterstock. Alle rechten voorbehouden