



# TAÏGA

Luminaire design: ECLATEC

When simplicity and efficiency go hand in hand...

**TAÏGA** is proof that a straight line is sometimes the best and also the most assertive answer for certain current architectural dialectics.

**TAÏGA** brings together a group of refined solutions of steel rectangular section poles equipped with **NIXEA** module, in single, double or paired lights for heights ranging from 4 to 7 metres.

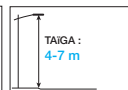


NIXEA MODULE

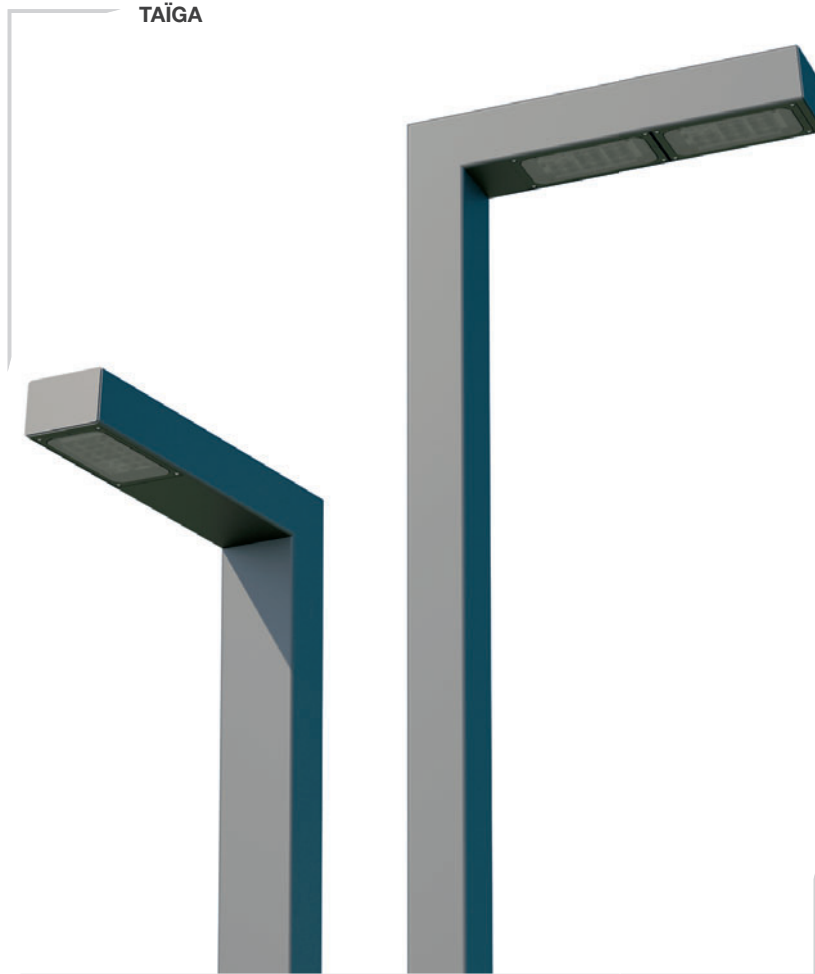


INTEGRATED BLS STRIPS





TAÏGA



## APPLICATIONS

- Mounting: finished product.
- Urban routes, pedestrian walkways, cycle paths, squares, parks and pedestrian areas.
- Recommended heights: 4 to 7 m

## DESCRIPTION

- Pole/luminaire made of hot dipped galvanised rectangular section steel (Height 4 and 5m: 120 x 220mm ; Height 6 and 7m: 150 x 250mm)
- Polyester powder coating, any RAL colour available
- IP 66
- IK 10
- Class I or II
- NIXEA module equipped with BLS with QUADRALENS lenses and transparent polycarbonate bowl; IK 10
- Colour temperature: 2400 K, 2700 K, 3000 K or 4000 K
- Luminaire eligible for Energy Saving Certificates

## CITIZEN REFERENCE POINTS

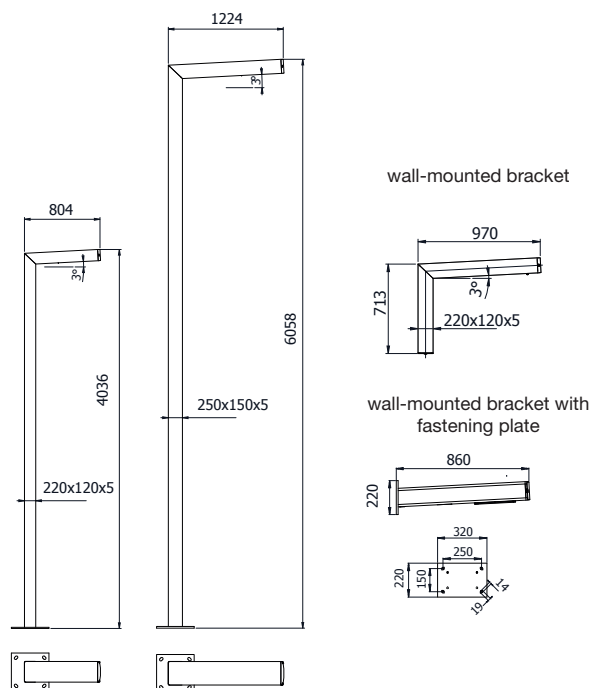
- Materials used: Steel 99%, Other 1%
- Complies with the RoHS directive

## WATERPROOFING

- luminaire part: IP 66 waterproofing in accordance with the standard EN 60 529
- Silicone gasket

## MECHANICAL INTERFACES

- Flange place fixing centers 300 x 300 mm
- 4 anchor bolts JT-M18 x 400



		TAÏGA
<b>Applications</b>	Urban routes, pedestrian walkways, cycle paths, squares, parks and pedestrian areas	
<b>Recommended heights</b>	4 to 7 m	
<b>Mounting</b>	Finished product. Assembly to be sealed delivered prewired with connection box	
<b>Dimensions</b>	4 and 5 m, section: 120 x 220 mm 6 and 7 m, section: 150 x 250 mm	
<b>Weight</b>	Taïga 7 m: 260 kg / Taïga 6 m: 228 kg / Taïga 5 m + rear fixation: 241 kg / Taïga 4 m: 130 kg / Taïga wall-mounted bracket: 29 kg	
<b>Windage area</b>	Taïga 7 m: 2.48m <sup>2</sup> / Taïga 6 m: 2.12m <sup>2</sup> / Taïga 5 m + rear fixation: 2.12 m <sup>2</sup> / Taïga 4 m: 1.25 m <sup>2</sup> Taïga wall-mounted bracket: 0.15m <sup>2</sup>	
<b>Source</b>	NIXEA (BLS)	
<b>Maintenance</b>	NIXEA module	
<b>Optics and light distribution options</b>	QUADRALENS: ECa, ERS, ERL, ERE, LRS, LRL, EPD, EPG, PFA, ETS	
<b>OPTIONS</b>	<b>Backlight shield<sup>(1)</sup></b> (factory or site assembly)	○
	<b>DALI</b> (construction)	○
	<b>Dimming 5</b> (preset)	○
	<b>CLO</b>	Compatible with standard version, Dimming 5 and DALI option
	<b>Motion COM</b> (setting on site)	○
	<b>Motion P</b> (set in the bottom of the pole)	○
<b>POLEDRIVE</b> (set in the bottom of the pole)	○	

(1) Backlight shield optional except for EPD, EPG, ECA

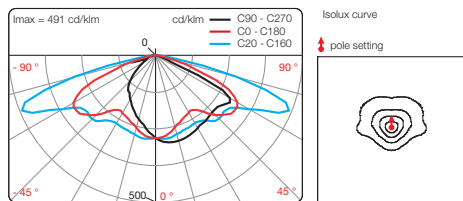
Glossary:

● Standard ○ Option - Not available

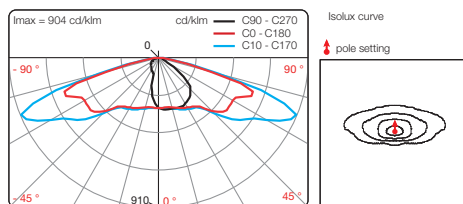
**E/L/P:** Lighting/Luminance/Projection, **R/C/T/F/P:** Road/Circulation/Path/Beam/Pedestrian walkway, **E/S/L/A/D/G:** Narrow/Standard/Wide/Asymmetric/Right/Left, **POLEDRIVE:** preset at the bottom of the pole / night dimming calculator with 2 configurable thresholds, set in the bottom of the pole, **Dimming 5:** night dimming calculator with 5 configurable thresholds, **Motion P:** Configurable offset presence detector at the foot of the pole, **Motion COM:** Wireless detection and communication, **DALI:** compatible with the DALI protocol, **CLO:** Constant Lumen Output option

PHOTOMETRIC DISTRIBUTIONS

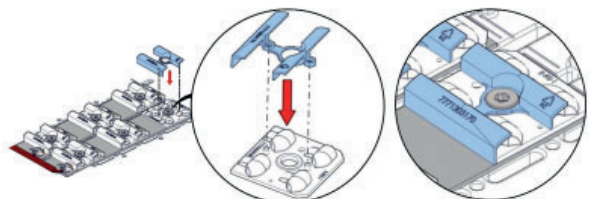
TAÏGA - ERL



TAÏGA - ERS



BACKLIGHT SHIELD



Backlight shield BLS version

MAINTENANCE

Module maintenance

Changing the module after removing 2 screws.





ECLATEC

led verlichting

banken

*afvalbakken*

custom made producten

houten lichtmasten

stalen lichtmasten

*solar verlichting*

lichtzuilen

bandstand

boomroosters

plantenbakken

fietsrekken

*klassieke lichtmasten*

openbare verlichting

terrein verlichting

afzetpalen

standbeelden

kunst

bollards

fonteinen

Auteursrechten en intellectuele eigendomsrechten

Het auteursrecht op deze brochure berust bij GHM Eclatec B.V. of bij derden (GHM SA en Eclatec SAS) welke met toestemming dit (beeld) materiaal beschikbaar hebben gesteld aan GHM Eclatec B.V. Vermenigvuldiging in wat voor vorm dan ook is alleen toegestaan na voorafgaande toestemming door GHM Eclatec B.V.

Copyright © 2019 GHM Eclatec BV.

Foto credits: ©Eclatec, ©Fotolia, ©Shutterstock, ©GHM

Alle rechten voorbehouden

GHM Eclatec BV Tinstraat 91 2984 AN Ridderkerk 0031 (180) 745043  
info@ghm-eclatec.nl www.ghm-eclatec.nl KVK Rotterdam 53536991

Onderdeel van Agora Technologies