



# SONATA

Luminaire design: ECLATEC

Primarily designed for bracket mounting on facades, **SONATA** has been designed like a light and discrete partition. Its lines, elusive and slender, melt with discretion into various urban contexts. **SONATA** excels in narrow streets, mounted on brackets and thus without impact on pedestrian routes, **SONATA** lights roadways up to 9 metres wide.

**SONATA** is equipped with an integrated connection box and a reversible mounting base which adapts to various connection cases and therefore avoids ugly electrical connections.

Optionally, the upper face of **SONATA** can accept a retro-lighting module for facades, controlled by an astronomical clock where necessary, so as to comply with nocturnal shutoff regulations without requiring double cabling.

The **SONATA** luminaire is also suitable for pole mounting with an original mounting extending the pole upwards for 1 to 3 superimposed lights.



BLS STRIPS



BACKLIGHTING





Sonata Top



Sonata with detector



Sonata O (backlighting)





SONATA wall-mounted



SONATA wall-mounted O



SONATA top



## APPLICATIONS

- Mounting: wall-mounted, top
- Urban streets, pedestrian routes, cycle paths, residential lighting, town-centre, architectural emphasis
- Recommended heights: 4 to 6 m

## DESCRIPTION

- Body, canopy and plate made of injected die-cast aluminium
- Silkscreen printed, thermally toughened flat glass
- Polyester powder coating, any colour available
- IP66 / IK10 / Class I or II
- Convertible wall-mounted plate for guiding cable from above or from the underside
- Mono lenses **ORALENS**
- Colour temperature: 4000 K and 3000 K
- Option: protective device against overcurrent and short circuits and / or integrated fuse holder in the luminaire
- Luminaire eligible for Energy Saving Certificates

### BACKLIGHTING (VERSION O)

- op-mounted RGBW LED in the luminaire cover, adjustable from 0° to 10° with external setting.
- PC bowl
- Narrow or wide beam with ORALENS lenses
- Externally adjustable optical unit for more precise adjustment
- **Dynamic Colours Mode**
  - DMX control (through wiring with 2 extra dedicated cable glands), multitude of colours,
- **Static Colours Mode:**
  - Red, Green, Blue, Neutral White, Cyan, other colours possible on request,
  - Dedicated power supply: backlighting switched off programmatically (cf. decree of 25 January 2013 relating to the night lighting of non-residential buildings)

## CITIZEN REFERENCE POINTS

- Materials used: Aluminium 65%, Other 16%, Glass 10%, Steel 8%, Plastic 1%
- Complies with the RoHS directive
- ULR<1%
- High recyclability rate

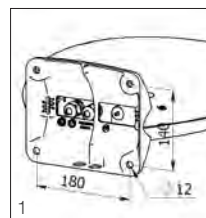
## WATERPROOFING



- IP66 waterproofing in accordance with the standard EN 60 529
- Extruded silicone gasket
- 2 anchored cable glands (through wiring possible)
- Breathing system with activated carbon filter

## MECHANICAL INTERFACES

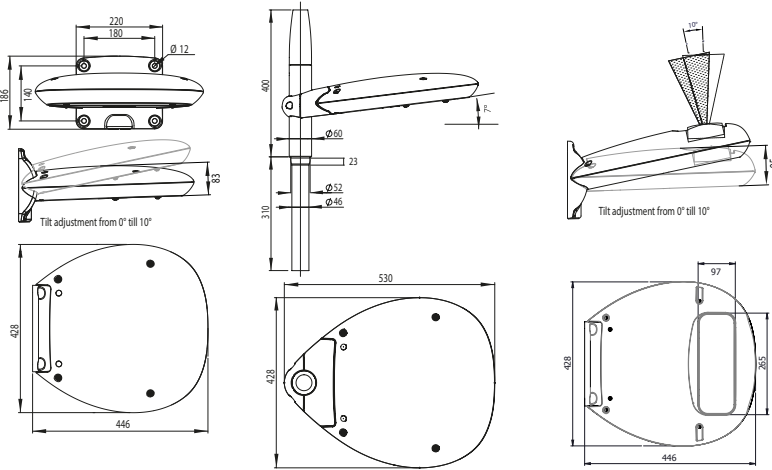
- {1} Wall-mounted bracket: 4 holes  $\varnothing 12$  space between centers 180mm x140mm
  - Tilt 0°, 2.5°, 5°, 7.5° and 10°
  - Luminaire tilted at 2°
- {2} Post top version with 1 to 3 arms: male bracket fastening  $\varnothing 60/\varnothing 62$ mm (see page 246)
  - Tilt 7°



Sonata wall-mounted

Sonata top

Sonata O



KEY POINTS

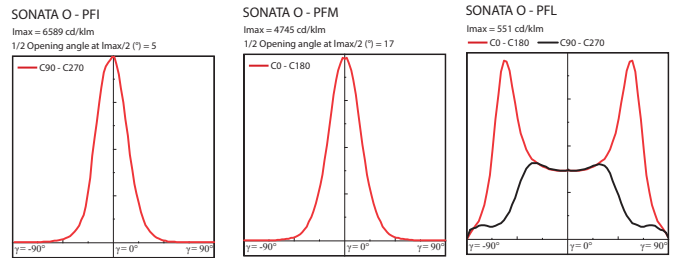
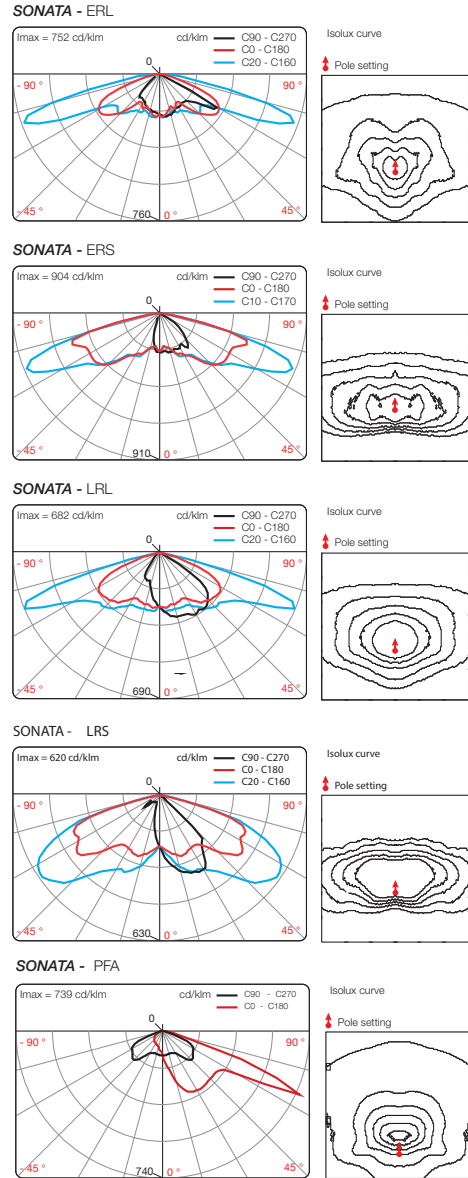
		SONATA	SONATA O
<b>Applications</b>		Urban streets, pedestrian routes, cycle paths, residential lighting, town-centre Only Sonata O: architectural emphasis	
<b>Recommended heights</b>		4 to 6 m	
<b>Mounting</b>		Top fixation 1 to 3 arms and wall-mounted bracket	wall-mounted bracket
<b>Dimensions</b>	<b>Length</b>	446 mm	446 mm
	<b>width</b>	428 mm	428 mm
	<b>height</b>	83 mm	95 mm
<b>Weight</b>		7,5 kg	
<b>Windage area</b>		0,05 m <sup>2</sup>	
<b>Sources</b>		BLS strips	BLS strips + RGBW LED adjustable façade backlighting
<b>Sources access</b>		Direct access to the gear by removing the canopy fixed with 4 high-helix lead screws	Direct access to power units after removing cover fastened by 4 captive high helix screws
<b>Optics and light distribution options<sup>(1)</sup></b>		Mono lenses with flat glass: ERS, ECa, ERL, LRS, LRL	Road lighting: single lens with glass bowl, ERS, ERL, ECa, LRS, LRL Backlighting: PFI, PFM, PFL
<b>OPTIONS</b>	<b>BACKLIGHTING</b>	-	○
	<b>POLEDRIVE</b> (set in the bottom of the pole)	○*	○*
	<b>Dimming 5</b> (preset)	○	○
	<b>Motion</b> (setting on site)	○	-
	<b>Motion P</b> (set in the bottom of the pole)	○	○
	<b>Motion DALI</b> (set in the bottom of the pole)	○	-
	<b>Motion 5</b> (preset)	○	-
	<b>Motion COM</b> (setting on site)	○	-
	<b>DALI</b> (preset)	○	○
	<b>FC</b>	Compatible with standard version, Dimming 5, Motion 5 or DALI option	Compatible with standard version, Dimming 5 or DALI option

(1) Rearward light spill cover optional except for EPD, EPG and level 1 of the luminaires concerned \* Pole base option for post top luminaires, inside the luminaire for the wall-mounted version

Glossary:  
 ● Standard ○ Option - Not available

**E/L/P:** Lighting/Luminance/Projection, **R/C/T/F/P:** Road/Circulation/Path/Beam/Pedestrian walkway, **E/S/L/A/D/G:** Narrow/Standard/Wide/Asymmetric/Right/Left, **POLEDRIVE:** preset at the bottom of the pole / night dimming calculator with 2 configurable thresholds, set in the bottom of the pole, **Dimming 5:** night dimming calculator with 5 configurable thresholds, **Motion:** moving sensor, **Motion P:** Configurable offset presence detector at the foot of the pole, **Motion DALI:** Detector integrated to the luminaire, adjustable at pole base, **Motion 5:** Motion sensor and dimming calculator, **Motion COM:** Wireless detection and communication, **DALI:** compatible with the DALI protocol, **FC:** Compensated flux

PHOTOMETRIC DISTRIBUTIONS



MAINTENANCE

**Lighting equipment maintenance**  
 Direct access to the gear by removing the canopy fixed with 4 high-helix lead screws

**Source maintenance**  
 Access to BLS strips and lenses after removal of the glass bowl attached with 4 screws.

**RGBW retro-lighting module maintenance**  
 Quick electrical disconnection of the LED module without tools. Removable LED module (2 screws).



ECLATEC

led verlichting

banken

*afvalbakken*

custom made producten

houten lichtmasten

stalen lichtmasten

*solar verlichting*

lichtzuilen

bandstand

boomroosters

plantenbakken

fietsrekken

*klassieke lichtmasten*

openbare verlichting

terrein verlichting

afzetpalen

standbeelden

kunst

bollards

fonteinen

Auteursrechten en intellectuele eigendomsrechten

Het auteursrecht op deze brochure berust bij GHM Eclatec B.V. of bij derden (GHM SA en Eclatec SAS) welke met toestemming dit (beeld) materiaal beschikbaar hebben gesteld aan GHM Eclatec B.V. Vermenigvuldiging in wat voor vorm dan ook is alleen toegestaan na voorafgaande toestemming door GHM Eclatec B.V.

Copyright © 2019 GHM Eclatec BV.

Foto credits: ©Eclatec, ©Fotolia, ©Shutterstock, ©GHM

Alle rechten voorbehouden

GHM Eclatec BV Tinstraat 91 2984 AN Ridderkerk 0031 (180) 745043  
info@ghm-eclatec.nl www.ghm-eclatec.nl KVK Rotterdam 53536991

Onderdeel van Agora Technologies