

LUMINAIRES

# ITEM

Design: STOA Architecture



**Configuration**

ITEM 500  
U-bracket 1 arm  
Column height: 4 m

**Configuration**

ITEM 500  
U-bracket 2 arms  
Column height: 4 m

**Configuration**

ITEM 500  
U-bracket 4 arms  
Column height: 4 m

**Configuration**

ITEM 500  
Top mounted  
Deep bowl  
Column height: 4 m

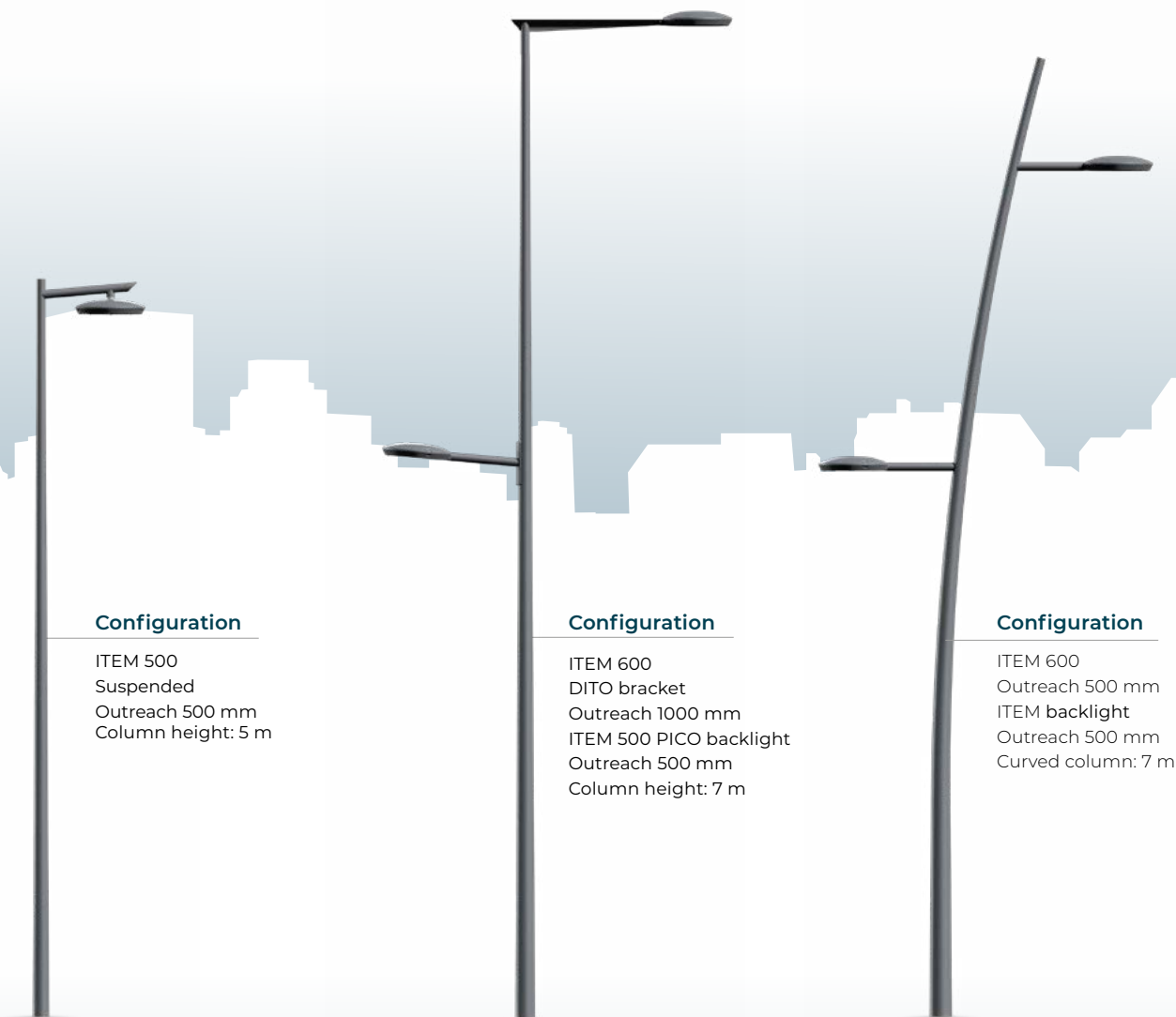
LUMINAIRES

# ITEM

Design: STOA Architecture



ITEM Presented on a bracket ATOS, design STOA Architecture



#### Configuration

ITEM 500  
Suspended  
Outreach 500 mm  
Column height: 5 m

#### Configuration

ITEM 600  
DITO bracket  
Outreach 1000 mm  
ITEM 500 PICO backlight  
Outreach 500 mm  
Column height: 7 m

#### Configuration

ITEM 600  
Outreach 500 mm  
ITEM backlight  
Outreach 500 mm  
Curved column: 7 m

# ITEM

Design: STOA Architecture



## ITEM 500

Lateral  
SMOOTH plate

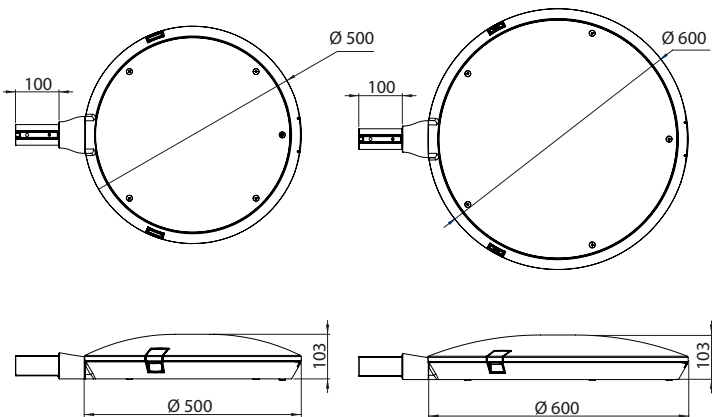
### DESCRIPTION

<b>Product name</b>	ITEM 500	ITEM 600
<b>Housing</b>	Die cast aluminium	
<b>Plate</b>	SMOOTH, HONEYCOMB or TRAIID plate Customised pattern option (depending on study)	
<b>Bowl</b>	Thermally tempered and screen printed flat glass (VPC)	
<b>Finish</b>	Polyester powder coating, any colour available	
<b>Impact protection</b>	Flat glass (VPC): IK 10	Flat glass (VPC): IK 08
<b>Ingress Protection</b>	IP66 Extruded silicone gasket Cable gland with anchoring device Breathing system with activated carbon filter	
<b>Dimensions (dia x h)</b>	500 x 103 mm	600 x 103 mm
<b>Weight</b>	9.7kg	12.2kg
<b>Windage area</b>	0.04m <sup>2</sup>	0.05m <sup>2</sup>
<b>Materials used</b>	Aluminium 61% Glass 20% Steel 8% Plastic 2% Other 9%	Aluminium 59% Glass 24% Steel 7% Plastic 3% Other 7%
<b>Electrical class</b>	Class I or II	

### DIMENSIONS

ITEM 500

ITEM 600





**ITEM 500**  
Suspended  
TRAIID plate



**ITEM 500**  
Top  
SMOOTH plate

## SOURCES & PHOTOMETRIC DISTRIBUTIONS

	ITEM 500	ITEM 600
<b>Sources</b>	ITEM (ORALED type) BLS strips	ITEM (ORALED type)
<b>Colour temperature</b>	<b>ORALED:</b> 3000 K or 4000 K <b>QUADRALENS:</b> Amber*, 2200 K, 2400 K, 2700 K, 3000 K or 4000 K	
<b>Optical Distribution</b>	<b>ORALENS:</b> ECL, ERS, ERL, LRM	<b>ORALENS:</b> ERS, ERL, LRM, LRE
	<b>QUADRALENS:</b> ERS, ERL, ECa, LRS, LRL, ERE, ETS, PFA, EPD, EPG	<b>QUADRALENS:</b> ERS, ERL, ERE, LRS, LRL, PFA, ECa, EPD, EPG
<b>Backlight shield option</b>	Medium or strong cut-off	
<b>Power supply current</b>	Adjustable up to 700 mA <sup>(1)</sup>	

\*Approx. 1800K, only on BLS12 as standard. <sup>(1)</sup> >700mA possible on request.  
E/L/P: Lighting/Luminance/Projection, R/C/T/F/P: Road/Circular/Pavement/Beam/Zebra crossing,  
E/S/L/A/D/G: Narrow/Standard/Wide/Asymmetrical/Right/Left



Module ITEM  
(ORALED type)



BLS strips

## OPTIONS

	ITEM 500	ITEM 600
<b>At the lighting point</b>		
Adjustable current (driver or bottom of the pole)	✓	✓
Dimming (driver, bottom of the pole or Bluetooth)	✓	✓
Built-in detection	✓*	-
Remote detection	✓	✓
DALI protocol	✓	✓
Smart-Ready® configuration (ZD4i)	✓**	✓**
<b>In a local network</b>		
Communicating detection with pilot wire	✓	✓
Wireless communication sensing	✓	✓
<b>Remote management</b>		
WIZARD CMS system	✓	✓

\* Only available for versions without frame

\*\* Double smart-ready available for versions without frame

Details of the functions available on pages 272 to 279 and in the LED synopsis located under the flap on the front cover

## MECHANICAL INTERFACES

**LL:** Side entry coupled with sleeve for bracket end with external Ø 60 mm (cf p 280 - E, F)

**LLM 60:** Smooth lateral with covering sleeve Ø 60 mm

**LR:** Side entry with swivel joint and Ø 3/4" thread for female boss welded onto pole or bracket (cf p 280 - G)

**LRL:** Side entry with plain swivel joint coupled with sleeve for bracket end with external Ø 60 mm (cf p 280 - E, F)

**Top or bi-top:** fitting for pole Ø 60/62 mm.  
For pole Ø 76 mm top, optional spigot A (cf p 280)

**LTO 60:** Directional covering lateral top for Ø 60 mm

**SM:** Suspended with a threaded Nipple Ø 27 pdg (G3/4") and Ø 34 pdg

**Wall mount and pad**

### Dedicated brackets

Single or double light bracket, outreach 600 mm or 1000 mm  
Wall mounted light and backlight, outreach 600 mm  
ATOS bracket tilt 1° - ARTIS and DITO brackets tilt 5°



ATOS  
Design: STOA Architecture



ARTIS



DITO

## MAINTENANCE

**Opening and closing** The luminaire cover can be opened without tools using the 2 flaps. The luminaire is held in the open position by a safety stay

**Electric equipment maintenance** Quick electrical disconnection without tools  
Circuit board removable onsite without tools

**Sources maintenance** Access to the LED sources after removal of the bowl

## PLATES



SMOOTH plate



TRAIID plate



HONEYCOMB plate

# ITEM

Design: STOA Architecture



**ITEM 500**  
U-bracket 1 arm  
HONEYCOMB plate



**ITEM 500**  
U-bracket 2 arms  
SMOOTH plate

## DESCRIPTION

<b>Product name</b>	ITEM 500
<b>Housing</b>	Die cast aluminium
<b>Plate</b>	SMOOTH, HONEYCOMB or TRAUD plate Customised pattern option (depending on study)
<b>Bowl</b>	Thermally tempered and screen printed flat glass (VPC) Deep clear polycarbonate bowl (PHC), optional internal diffuser
<b>Finish</b>	Polyester powder coating, any colour available
<b>Impact protection</b>	Flat (VPC): IK 09 / Deep bowl (PHC): IK 10
<b>Ingress Protection</b>	IP66 Extruded silicone gasket Cable gland with anchoring device Breathing system with activated carbon filter
<b>Dimensions (dia x h)</b>	
U-bracket 1 arm	500 x 671 mm
U-bracket 2, 4 arms	500 x 701 mm
PHC post top	500 x 758 mm
PHC suspended	500 x 714 mm
<b>Weight</b>	
U-bracket 1 arm	10.3kg
U-bracket 2 arms	12.1kg
U-bracket 4 arms	12.4kg
PHC post top	11kg
PHC suspended	11.1kg
<b>Windage area</b>	
U-bracket 1 arm	0.06m <sup>2</sup>
U-bracket 2 arms	0.07m <sup>2</sup>
U-bracket 4 arms	0.10m <sup>2</sup>
PHC post top	0.19m <sup>2</sup>
PHC suspended	0.19m <sup>2</sup>
<b>Materials used</b>	<b>ITEM 500 Bowl PHC</b> Aluminium 58% Steel 9% Plastic 26% Other 7%
<b>Electrical class</b>	Class I or II

## PLATES



SMOOTH plate



TRAUD plate



HONEYCOMB plate



## MECHANICAL INTERFACES



**U-bracket 1 arm:** penetrating tip for Ø 60 mm pole



**U-bracket 2 arms:** post top fastening pole Ø 60/62mm



**U-bracket 4 arms:** post top fastening pole Ø 60/62mm



**PHC:** post top fastening pole Ø 60/62mm



**SM:** suspended with threaded Nippel Ø 27 pdg and Ø 34 pdg



**ITEM 500**  
U-bracket 4 arms  
TRAID plate



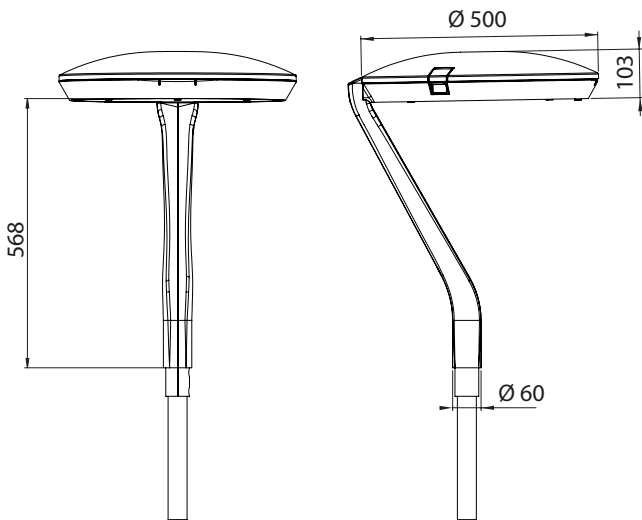
**ITEM 500**  
Post top PHC bowl  
SMOOTH plate



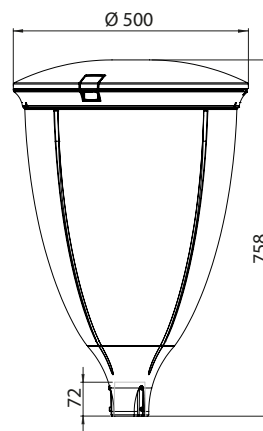
**ITEM 500**  
Suspended PHC bowl  
SMOOTH plate

**DIMENSIONS**

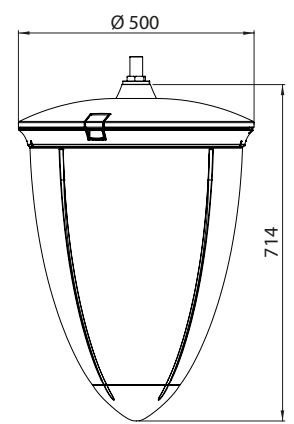
ITEM U-bracket 1 arm



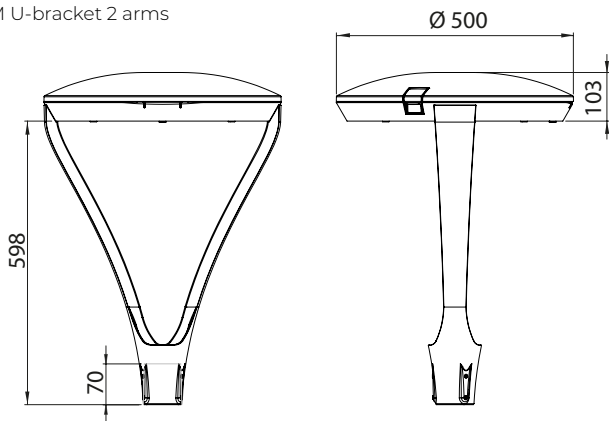
ITEM PHC post top



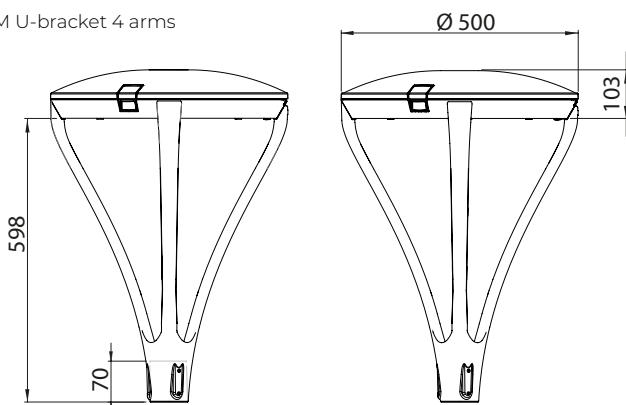
ITEM PHC suspended



ITEM U-bracket 2 arms



ITEM U-bracket 4 arms



**ACCESSORY**

Deep clear polycarbonate bowl (PHC) with internal diffuser

