



# INDICE

Luminaire design: Eclatec

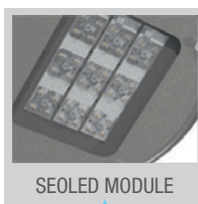
This luminaire disguises its true purpose well; this intention inspired the creation of **INDICE**.

Over and above its apparent wisdom, on examination, this luminaire reveals a more playful temperament, asserting itself with joy by way of a happy panoply of domes, cross-arms and mountings.

For each usage, each context, each intention, an “interactive” choice is left for the designer, who assembles their idea and loves the joyous simplicity of **INDICE**.



ORALED MODULE



SEOLED MODULE



INTEGRATED BLS STRIPS



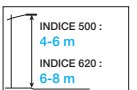
Indice on U-bracket



Indice on curved pole



Indice on U-bracket



INDICE 500 With SEOLED 1 module



INDICE 620 With ORALED 2 module



## APPLICATIONS

- Mounting: top, suspended and side entry
- Indice 500: Pedestrian areas, cycle paths, residential areas, street lighting  
Indice 620: Roads, secondary urban and inter-urban streets
- Recommended heights: Indice 500: 4 to 6 m / Indice 620: 6 to 8 m

## DESCRIPTION

- Luminaire available in 2 sizes: Indice 500 and Indice 620
- Body and frame in injected die-cast aluminium
- Choice of aluminium domes: Graphic, Spiral, Volute and Parabol
- Polyester powder coating, any colour available
- IP 66
- Class I or II
- Luminaire pre-wired in the factory (6 m) (except suspended)
- 2 types of sources:

### ORALED 1 and 2 module:

- equipped with an **ORALENS** mono lens in PMMA/**IK 08**, module colour grey 2150 sanded or 2900 sanded
- colour temperature: 4000 K and 3000 K

### SEOLED 1 and 2 module:

- equipped with BLS with **QUADRALENS** lenses and glass bowl/**IK 08**, module colour grey 2150 sanded or 2900 sanded
- colour temperature: 2400 K, 2700 K, 3000 K or 4000 K

- Luminaire eligible for Energy Saving Certificates

## CITIZEN REFERENCE POINTS

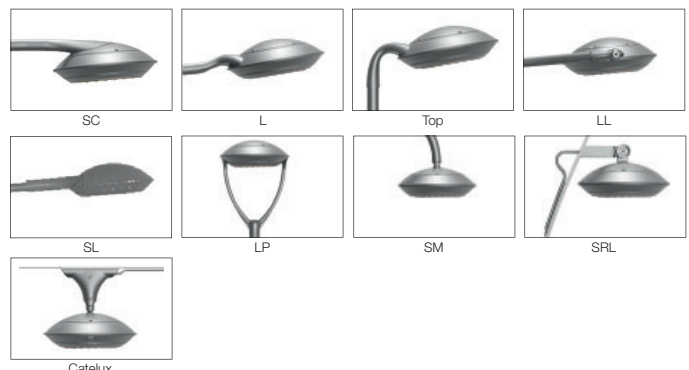
- Materials used:
  - Indice 500: Aluminium 86%, Plastic 6%, Other 7%, Steel 1%
  - Indice 620: Aluminium 87%, Plastic 6%, Other 6%, Steel 1%
- Complies with the RoHS directive
- High recyclability rate

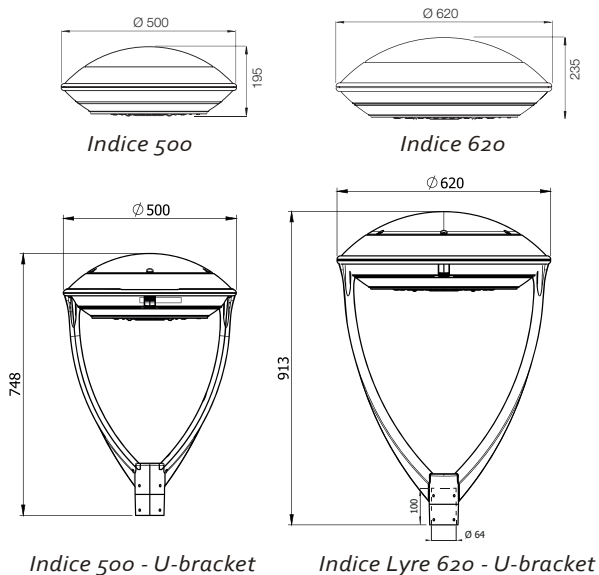
## WATERPROOFING

- IP 66 waterproofing in accordance with the standard EN 60 529
- Pneumatic silicone gasket
- Cable gland with anchoring device
- Breathing system with activated carbon filter

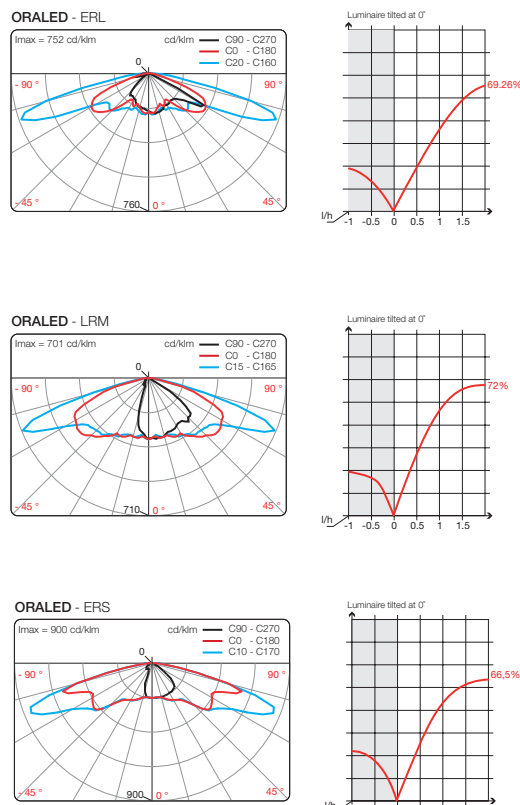
## MECHANICAL INTERFACES

- SC: Indice Suspended spoon coupled with sleeve to suit Ø 60 mm bracket arm (Graphic dome) (see page 278 - E, F)
- L: Indice side entry fitting for bracket end with external Ø 60 mm (any dome) (see page 278 - E, F)
- Top: Indice Top fitting for pole Ø 60/62 mm (any dome) (see page 278 - D)
- LL: Indice lateral U-bracket (any dome) (see page 278 - E, F)
- SL: Indice lateral suspended for bracket end with external Ø 60 mm (graphic dome)
- LP: Indice top mounted U-bracket Ø 60 mm/ l=100 mm (any dome) (see page 278 -A)
- SM: Indice Suspended with Ø 3/4" thread (any dome) (see page 278 - H)
- SR: Indice suspended with swivel joint (any domes) (see page 278 - E, F)
- CATELUX: Indice with SM Ø 27 pdg (G3/4") fixation. Fixation on 5 to 14 mm diameter mechanical cable





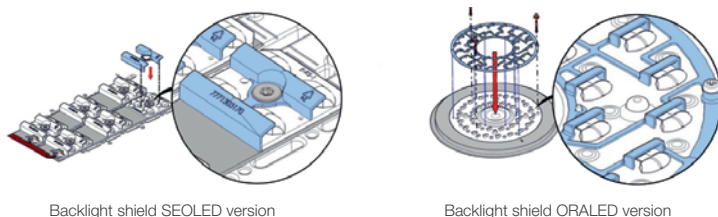
PHOTOMETRIC DISTRIBUTIONS



KEY POINTS

	INDICE 500	INDICE 620	
<b>Applications</b>	Pedestrian areas, cycle paths, residential areas, street lighting	Roads, secondary urban and inter-urban streets	
<b>Recommended heights</b>	4 to 6 m	6 to 8 m	
<b>Mounting</b>	See Mechanical interfaces		
<b>Dimensions</b>	Ø height		
	465 mm 245 mm	565 mm 275 mm	
<b>Weight</b>	6,6 kg	9,3 kg	
<b>Windage area</b>	0,06 m <sup>2</sup>	0,09 m <sup>2</sup>	
<b>Sources</b>	ORALED 1 SEOLED 1	ORALED 2 SEOLED 2	
<b>Sources access</b>	Removable ORALED and SEOLED modules		
<b>Optics and light distribution options</b>	ORALENS: ERS, ERL, ECL, LRM QUADRALENS <sup>(1)</sup> : ERS, ERL, ERE, LRS, LRL, PFA, EPD, EPG, ETS, ECa	ORALENS: ERS, ERL, LRM, LRE QUADRALENS <sup>(1)</sup> : ERS, ERL, ERE, LRS, LRL, PFA, ECa	
<b>Power supply current (mA)</b>	100 to 700 mA		
<b>OPTIONS</b>	<b>Backlight shield<sup>(1)</sup></b> (factory or site assembly)	<input type="radio"/>	<input type="radio"/>
	<b>SMART-READY<sup>(2)</sup></b> by Eclatec (construction)	<input type="radio"/>	<input type="radio"/>
	<b>DALI</b> (construction)	<input type="radio"/>	<input type="radio"/>
	<b>Dimming 5</b> (preset)	<input type="radio"/>	<input type="radio"/>
	<b>CLO</b> (preset)	Compatible with standard version, Dimming 5, Motion 5 or DALI option	
	<b>Motion 5</b> (setting on site)	<input type="radio"/>	-
	<b>Motion</b> (setting on site)	<input type="radio"/>	-
	<b>Motion P</b> (set in the bottom of the pole)	<input type="radio"/>	<input type="radio"/>
<b>Motion COM</b> (setting on site)	<input type="radio"/>	-	
<b>POLEDRIIVE</b> (set in the bottom of the pole)	<input type="radio"/>	<input type="radio"/>	

BACKLIGHT SHIELD



Backlight shield SEOLED version

Backlight shield ORALED version

MAINTENANCE

Opening and closing

Opening of the luminaire without tools by pressing the button incorporated into the luminaire body. {1}  
The luminaire is held in the open position by a safety prop. {2}

LED module maintenance

Direct access to the module, removable.  
Power supply by quick connectors.



(1) Backlight shield optional except for EPD, EPG, ECa

(2) Preconfigured communicating system: Wired Sensor Ready type driver and Zhaga consortium base. Be sure to hold the connector when installing the module

Glossary:

● Standard ○ Option - Not available

**E/L/P:** Lighting/Luminance/Projection, **R/C/T/F/P:** Road/Circulation/Path/Beam/Pedestrian walkway, **E/S/L/A/D/G:** Narrow/Standard/Wide/Asymmetric/Right/Left, **POLEDRIIVE:** preset at the bottom of the pole / night dimming calculator with 2 configurable thresholds, set in the bottom of the pole, **Dimming 5:** night dimming calculator with 5 configurable thresholds, **Motion:** moving sensor, **Motion P:** Configurable offset presence detector at the foot of the pole, **Motion DALI:** Detector integrated to the luminaire, adjustable at pole base, **Motion 5:** Motion sensor and dimming calculator, **Motion COM:** Wireless detection and communication, **DALI:** compatible with the DALI protocol, **CLO:** Constant Lumen Output option



ECLATEC

led verlichting

banken

*afvalbakken*

custom made producten

houten lichtmasten

stalen lichtmasten

*solar verlichting*

lichtzuilen

bandstand

boomroosters

plantenbakken

fietsrekken

*klassieke lichtmasten*

openbare verlichting

terrein verlichting

afzetpalen

standbeelden

kunst

bollards

fonteinen

Auteursrechten en intellectuele eigendomsrechten

Het auteursrecht op deze brochure berust bij GHM Eclatec B.V. of bij derden (GHM SA en Eclatec SAS) welke met toestemming dit (beeld) materiaal beschikbaar hebben gesteld aan GHM Eclatec B.V. Vermenigvuldiging in wat voor vorm dan ook is alleen toegestaan na voorafgaande toestemming door GHM Eclatec B.V.

Copyright © 2019 GHM Eclatec BV.

Foto credits: ©Eclatec, ©Fotolia, ©Shutterstock, ©GHM

Alle rechten voorbehouden

GHM Eclatec BV Tinstraat 91 2984 AN Ridderkerk 0031 (180) 745043  
info@ghm-eclatec.nl www.ghm-eclatec.nl KVK Rotterdam 53536991

Onderdeel van Agora Technologies