



INDEX

Luminaire design: ECLATEC

INDEX gives an intelligible know-how to urban projects; its proportions come from the quasi-mathematical result of a rule of three:

- it fits into a contemporary equation with determination.
- resolve the triple proportions of a volume, with a scale and lightness targeting harmony
- offer a fundamental tool for the town, combining its outline with urban lines by day and dispensing a methodically dosed light by night



INDEX MODULE





INDEX LED



APPLICATIONS

- Mounting: top
- Car parks, parks and gardens, residential lighting
- Recommended heights: 3 to 6 m

DESCRIPTION

- Injection die-cast aluminium body
- Aluminium cap underside painted in white color, Ø 800mm
- 3 extruded aluminium arms
- base in injected aluminium
- Domed base cover in injected aluminium, underside painted in white color to mirror the light
- Polyester powder coating, any colour available
- IP 66
- IK 08
- Class I or II
- **INDEX** module with **ORALENS** PMMA lenses
- Colour temperature: 4000 K and 3000 K

CITIZEN REFERENCE POINTS

- Materials used: Aluminium 93%, Other 4%, Inox 2%, Plastic 1%
- Complies with the RoHS directive
- High recyclability rate

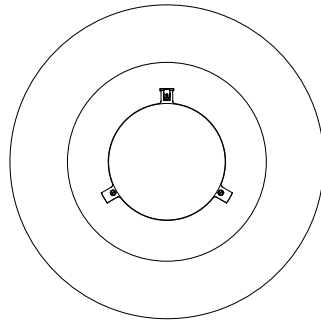
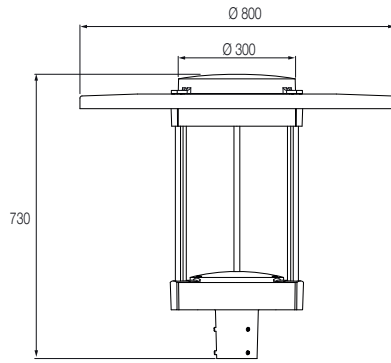
WATERPROOFING

- IP 66 waterproofing in accordance with the standard EN 60 529
- Silicone gasket on the canopy and base
- Power cable secured by cable-gland

MECHANICAL INTERFACES

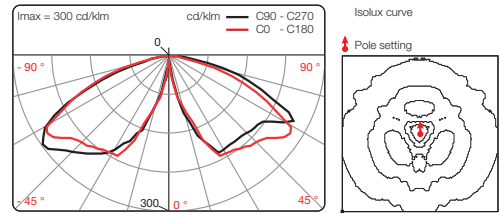
- Post-top fastening on pole Ø 76 mm, fastened with 6 STHC screws



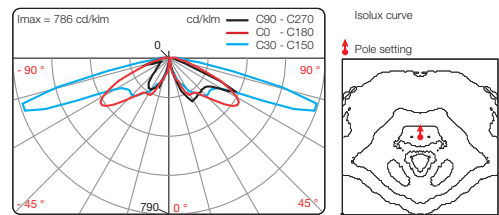


INDEX

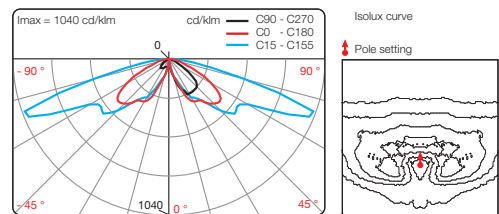
INDEX LED - ECL



INDEX LED - ERL



INDEX LED - ERS



KEY POINTS

		INDEX LED
Applications		Car parks, parks and gardens, residential lighting
Recommended heights		3 to 6 m
Mounting		Post-top fastening on pole Ø 76 mm, fastened with 6 STHC screws
Dimensions	Ø height	800 mm 730 mm
Weight		11 kg
Windage area		0,10 m²
Source		INDEX module
Sources access		Removable INDEX module
Optics and light distribution options		ORALENS: ERS, ERL, ECL
OPTIONS	DALI (construction)	○
	Dimming 5 (preset)	○
	CLO (preset)	Compatible with standard version, Dimming 5 and DALI option
	Motion COM (setting on site)	○
	Motion P (set in the bottom of the pole)	○
	POLEDRIVE (set in the bottom of the pole)	○

Glossary:

● Standard ○ Option - Not available

E/L/P: Lighting/Luminance/Projection, **R/C/T/F/P:** Road/Circulation/Path/Beam/Pedestrian walkway, **E/S/L/A/D/G:** Narrow/Standard/Wide/Asymmetric/Right/Left, **POLEDRIVE:** preset at the bottom of the pole / night dimming calculator with 2 configurable thresholds, set in the bottom of the pole, **Dimming 5:** night dimming calculator with 5 configurable thresholds, **Motion P:** Configurable offset presence detector at the foot of the pole, **Motion COM:** Wireless detection and communication, **DALI:** compatible with the DALI protocol, **CLO:** Constant Lumen Output option

MAINTENANCE

Lighting equipment maintenance

Access to the equipment after removal of the base cover. (3 screws)

Source maintenance

Access to the LED source after opening the upper cover. (3 trapped screws)

LED Luminaires

Modern Streetfurniture

Waste bins

Bollards Light

tree grill

Bollards

Classic poles cast iron

Steel poles

MODERN POLES CAST IRON

Defence bollards

Drinkwater fountain

SEATING

TRAMWAY POLES

Modern LED luminaires

Classic luminaires

Classic street furniture

Ghm

Rue Antoine Durenne
52220 Sommevoire
France
Tel nr. 0033 3 25 55 23 03

ECLATEC

41 rue Lafayette
54320 Maxeville
France
Tel nr. 0033 3 83 39 38 28

Export internet : www.ghm-eclatec.com

Email export: info@ghm-eclatec.com