



# IDYLLE

Luminaire design: ECLATEC

**IDYLLE** draws attention with a correctly proportioned modern silhouette.

Mainly intended for pedestrian lighting, **IDYLLE** flourishes in multiple urban environments.

Like its cousin, **Texto**, **IDYLLE** supplies avant-garde, high energy performance solutions for the necessary replacement of mercury vapour luminaires.

**IDYLLE** accepts a wide range of traditional optical systems and also the second generation **ZEDLED B** module.

In its LED configuration, **IDYLLE**, because of its low power, provides very significant energy savings.

**IDYLLE**, an adventure destined to endure...



ZEDLED B MODULE





IDYLLE



### APPLICATIONS

- Mounting: top
- Car parks, parks and gardens, residential lighting
- Recommended heights: 3,5 to 5 m

### DESCRIPTION

- Base in injected aluminium
- Spun aluminium cap
- Clear polycarbonate globe
- Polyester powder coating, any colour available
- IP 66
- IK 10: 60 Joules
- Class I or II
- Luminaire pre-wired in the factory (6 m)
- **ZEDLED B** module with **ORALENS**
- Colour temperature: 4000 K and 3000 K

### CITIZEN REFERENCE POINTS

- Materials used: Aluminium 65%, Plastic 26%, Steel 5%, Other 4%
- Complies with the RoHS directive
- High recyclability rate

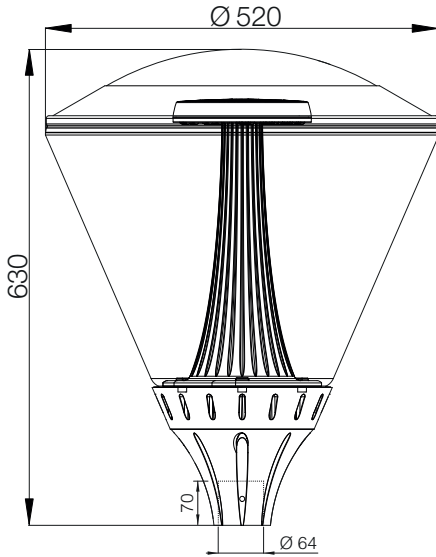
### WATERPROOFING

- IP 66 waterproofing in accordance with the standard EN 60 529
- Moulded silicone gasket on the base
- Cable gland with anchoring device

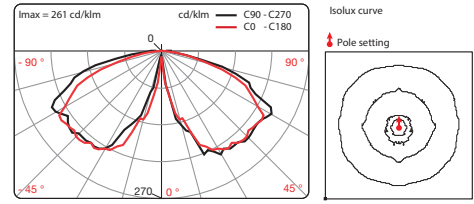
### MECHANICAL INTERFACES

- Post-top fastening on pole  $\varnothing$  60/62 mm, with 4 screws
- For pole  $\varnothing$  76 mm top, optional spigot C (see page 278)

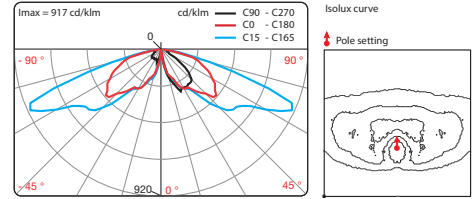




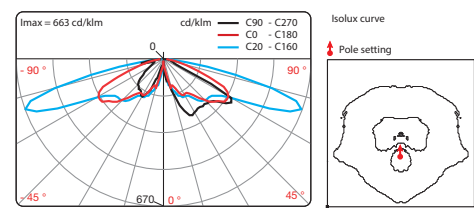
ZEDLED B - ECL



ZEDLED B - ERS



ZEDLED B - ERL



KEY POINTS

		IDYLLE
<b>Applications</b>		Car parks, parks and gardens, residential lighting
<b>Recommended heights</b>		3,5 to 5 m
<b>Mounting</b>		Post-top fastening on pole Ø 60/62 mm
<b>Dimensions</b>	Ø	520 mm
	height	630 mm
<b>Weight</b>		7,2 kg
<b>Windage area</b>		0,15 m <sup>2</sup>
<b>Source</b>		ZEDLED B
<b>Sources access</b>		Removable ZEDLED B module
<b>Optics and light distribution options</b>		ORALENS: ERS, ERL, ECL
<b>OPTIONS</b>	<b>DALI</b> (construction)	○
	<b>Dimming 5</b> (preset)	○
	<b>CLO</b> (preset)	Compatible with standard version, Dimming 5 and DALI option
	<b>Motion COM</b> (setting on site)	○
	<b>Motion P</b> (set in the bottom of the pole)	○
	<b>POLEDRIVE</b> (set in the bottom of the pole)	○

Glossary:

- Standard
- Option
- Not available

**E/L/P:** Lighting/Luminance/Projection, **R/C/T/F/P:** Road/Circulation/Path/Beam/Pedestrian walkway, **E/S/L/A/D/G:** Narrow/Standard/Wide/Asymmetric/Right/Left, **POLEDRIVE:** preset at the bottom of the pole / night dimming calculator with 2 configurable thresholds, set in the bottom of the pole, **Dimming 5:** night dimming calculator with 5 configurable thresholds, **Motion:** moving sensor, **Motion P:** Configurable offset presence detector at the foot of the pole, **Motion DALI:** Detector integrated to the luminaire, adjustable at pole base, **Motion 5:** Motion sensor and dimming calculator, **Motion COM:** Wireless detection and communication, **DALI:** compatible with the DALI protocol, **CLO:** Constant Lumen Output option

MAINTENANCE

Opening and closing

Opening by removal of the globe with 4 trapped screws located in the base. {1}



Lighting equipment maintenance

It is recommended that you operate by standard luminaire exchange.





ECLATEC

led verlichting

banken

*afvalbakken*

custom made producten

houten lichtmasten

stalen lichtmasten

*solar verlichting*

lichtzuilen

bandstand

boomroosters

plantenbakken

fietsrekken

*klassieke lichtmasten*

openbare verlichting

terrein verlichting

afzetzpalen

standbeelden

kunst

bollards

fonteinen

Auteursrechten en intellectuele eigendomsrechten

Het auteursrecht op deze brochure berust bij GHM Eclatec B.V. of bij derden (GHM SA en Eclatec SAS) welke met toestemming dit (beeld) materiaal beschikbaar hebben gesteld aan GHM Eclatec B.V. Vermenigvuldiging in wat voor vorm dan ook is alleen toegestaan na voorafgaande toestemming door GHM Eclatec B.V.

Copyright © 2019 GHM Eclatec BV.

Foto credits: ©Eclatec, ©Fotolia, ©Shutterstock, ©GHM

Alle rechten voorbehouden

GHM Eclatec BV Tinstraat 91 2984 AN Ridderkerk 0031 (180) 745043  
info@ghm-eclatec.nl www.ghm-eclatec.nl KVK Rotterdam 53536991

Onderdeel van Agora Technologies