



# IDYLLE

Luminaire design: ECLATEC

**IDYLLE** draws attention with a correctly proportioned modern silhouette.

Mainly intended for pedestrian lighting, **IDYLLE** flourishes in multiple urban environments.

Like its cousin, **Texto**, **IDYLLE** supplies avant-garde, high energy performance solutions for the necessary replacement of mercury vapour luminaires.

**IDYLLE** accepts a wide range of traditional optical systems and also the second generation **ZEDLED B** module.

In its LED configuration, **IDYLLE**, because of its low power, provides very significant energy savings.

**IDYLLE**, an adventure destined to endure...



ZEDLED B MODULE





IDYLLE



### APPLICATIONS

- Mounting: top
- Car parks, parks and gardens, residential lighting
- Recommended heights: 3,5 to 5 m

### DESCRIPTION

- Base in injected aluminium
- Spun aluminium cap
- Clear polycarbonate globe
- Polyester powder coating, any colour available
- IP 66
- IK 10: 60 Joules
- Class I or II
- Luminaire pre-wired in the factory (6 m)
- **ZEDLED B** module with **ORALENS**
- Colour temperature: 4000 K and 3000 K

### CITIZEN REFERENCE POINTS

- Materials used: Aluminium 65%, Plastic 26%, Steel 5%, Other 4%
- Complies with the RoHS directive
- High recyclability rate

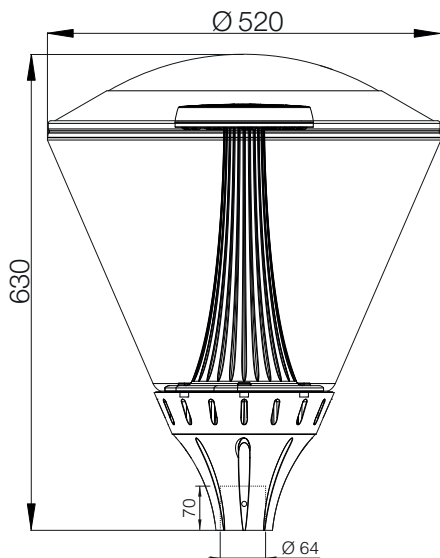
### WATERPROOFING

- IP 66 waterproofing in accordance with the standard EN 60 529
- Moulded silicone gasket on the base
- Cable gland with anchoring device

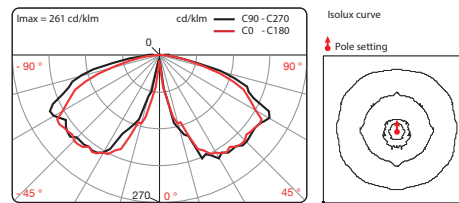
### MECHANICAL INTERFACES

- Post-top fastening on pole  $\varnothing$  60/62 mm, with 4 screws
- For pole  $\varnothing$  76 mm top, optional spigot C (see page 278)

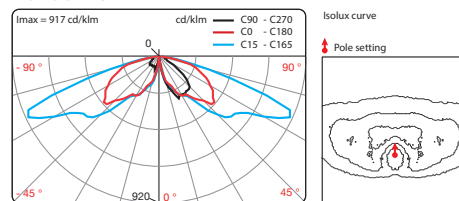




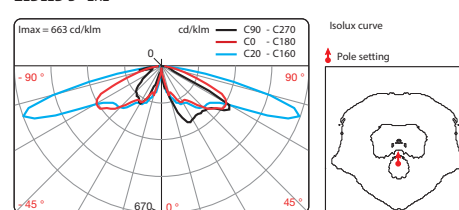
ZEDLED B - ECL



ZEDLED B - ERS



ZEDLED B - ERL



KEY POINTS

		IDYLLE
<b>Applications</b>		Car parks, parks and gardens, residential lighting
<b>Recommended heights</b>		3,5 to 5 m
<b>Mounting</b>		Post-top fastening on pole Ø 60/62 mm
<b>Dimensions</b>	Ø	520 mm
	height	630 mm
<b>Weight</b>		7,2 kg
<b>Windage area</b>		0,15 m <sup>2</sup>
<b>Source</b>		ZEDLED B
<b>Sources access</b>		Removable ZEDLED B module
<b>Optics and light distribution options</b>		ORALENS: ERS, ERL, ECL
<b>OPTIONS</b>	<b>DALI</b> (construction)	○
	<b>Dimming 5</b> (preset)	○
	<b>CLO</b> (preset)	Compatible with standard version, Dimming 5 and DALI option
	<b>Motion COM</b> (setting on site)	○
	<b>Motion P</b> (set in the bottom of the pole)	○
	<b>POLEDRIVE</b> (set in the bottom of the pole)	○

Glossary:

● Standard ○ Option - Not available

**E/L/P:** Lighting/Luminance/Projection, **R/C/T/F/P:** Road/Circulation/Path/Beam/Pedestrian walkway, **E/S/L/A/D/G:** Narrow/Standard/Wide/Asymmetric/Right/Left, **POLEDRIVE:** preset at the bottom of the pole / night dimming calculator with 2 configurable thresholds, set in the bottom of the pole, **Dimming 5:** night dimming calculator with 5 configurable thresholds, **Motion:** moving sensor, **Motion P:** Configurable offset presence detector at the foot of the pole, **Motion DALI:** Detector integrated to the luminaire, adjustable at pole base, **Motion 5:** Motion sensor and dimming calculator, **Motion COM:** Wireless detection and communication, **DALI:** compatible with the DALI protocol, **CLO:** Constant Lumen Output option

MAINTENANCE

Opening and closing

Opening by removal of the globe with 4 trapped screws located in the base. {1}



Lighting equipment maintenance

It is recommended that you operate by standard luminaire exchange.



*LED Luminaires*

Modern Streetfurniture

Waste bins

**Bollards Light**

**tree grill**

Bollards

Classic poles cast iron

Steel poles

MODERN POLES CAST IRON

Defence bollards

Drinkwater fountain

**SEATING**

TRAMWAY POLES

Modern LED luminaires

Classic luminaires

Classic street furniture

**Ghm**

Rue Antoine Durenne  
52220 Sommevoire  
France  
Tel nr. 0033 3 25 55 23 03

**ECLATEC**

41 rue Lafayette  
54320 Maxeville  
France  
Tel nr. 0033 3 83 39 38 28

Export internet : [www.ghm-eclatec.com](http://www.ghm-eclatec.com)

Email export: [info@ghm-eclatec.com](mailto:info@ghm-eclatec.com)