



# ENZA

Luminaire design: Marc Aurel

“The town of today, by virtue of the sophistication of its public spaces, seems like an extension of our domestic space; the quality of its materials, surface finishes, lighting...”

The design of a new luminaire can only fit into this qualitative logic. Imagine an object with a smooth and compact appearance giving way to the evidence of a route.

Continuity of form, discontinuity of materials for a luminaire that is the close image of our domestic universe.

Sophisticated materials and surface treatments give the lamp a strong presence by day or night. Cohesion between the technical and formal design lead to the birth of an object meeting the expectations for quality and performance of today’s town”.

Marc Aurel



INTEGRATED BLS STRIPS



Enza on Etia bracket



Enza on Donna bracket





ENZA



## APPLICATIONS

- Mounting: top and side entry
- Recommended heights: 4 to 10 m
- Urban streets, pedestrians, residential, cycle paths, roads, secondary urban and inter-urban streets

## DESCRIPTION

- Injection die-cast aluminium body
- Bowl in moulded clear polycarbonate
- Polyester powder coating, any colour available
- IP 66
- IK 10
- Class I or II
- Standard BLS LED strips equipped with **QUADRALENS** lenses
- Colour temperature: 4000 K and 3000K

## CITIZEN REFERENCE POINTS

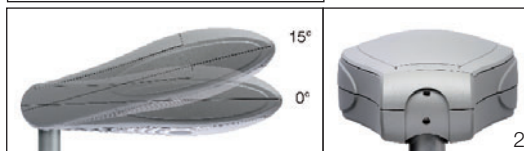
- Materials used: Aluminium 77%, Other 3%, Glass 8%, Steel 1%, Plastic 11%
- Complies with the RoHS directive
- High recyclability rate

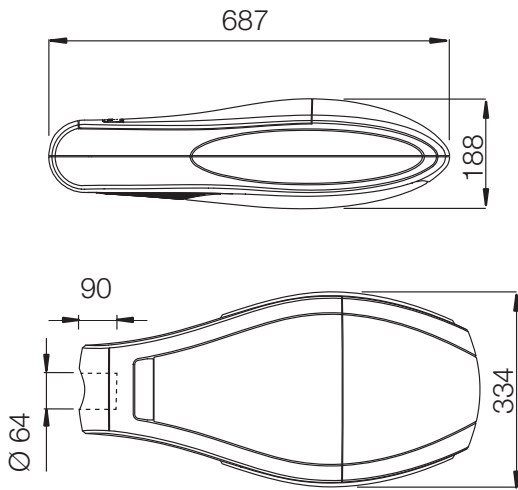
## WATERPROOFING

- IP 66 waterproofing in accordance with the standard EN 60 529
- Extruded pneumatic high temperature silicone gasket on the upper and lower parts
- Cable gland with anchoring device
- Breathing system with activated carbon filter

## MECHANICAL INTERFACES

- The Easylink® fastening system is an Eclatec innovation. It allows quick, easy installation and precise adjustment of the tilt angle thanks to its two sets of angle markings with a scale graduated in 5° steps
- Luminaire lateral mounted on bracket Ø 60 mm  
Tilts 0°, -5°, -10°, -15° and -20° {1}
- Luminaire post top mounted on pole Ø 60 mm  
For pole Ø 76 mm top, optional spigot A (see page 278)  
Tilts 0°, 5°, 10° and 15° {2}
- Decorative trim for Enza {3}





KEY POINTS

		ENZA 25
<b>Applications</b>		Urban streets, pedestrians, residential, cycle paths, roads, secondary urban and inter-urban streets
<b>Recommended heights</b>		4 to 10 m
<b>Mounting</b>		Top and side entry
<b>Dimensions</b>	<b>Length width height</b>	687 mm 334 mm 188 mm
<b>Weight</b>		13 kg
<b>Windage area</b>		0.04 m <sup>2</sup>
<b>Sources</b>		BLS strips
<b>Sources access</b>		Opens without tools by pressing the push-strip on the top casting: direct access to the gear Direct access to the BLS LED strips by removing the bowl
<b>Optics and light distribution options</b>		<b>QUADRALENS:</b> LRS, ERS, ERL, ERE, LRL, PFA, Eca
<b>OPTIONS</b>	<b>Backlight shield<sup>(1)</sup></b> (factory or site assembly)	○
	<b>SMART-READY<sup>®</sup> (2)</b> by Eclatec (construction)	○
	<b>DALI</b> (construction)	○
	<b>Dimming 5</b> (preset)	○
	<b>CLO</b> (preset)	Compatible with standard version or DALI
	<b>Motion COM</b> (setting on site)	○
	<b>Motion P</b> (set in the bottom of the pole)	○
	<b>POLEDRIVE</b> (set in the bottom of the pole)	○

(1) Backlight shield optional except for EPD, EPG, ECa

(2) Preconfigured communicating system: Wired Sensor Ready type driver and Zhaga consortium base. Be sure to hold the connector when installing the module

Glossary:

● Standard ○ Option - Not available

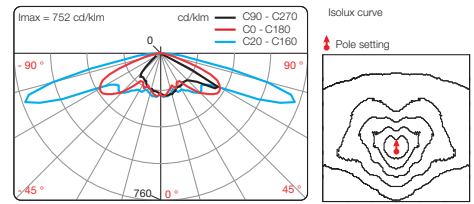
**E/L/P:** Lighting/Luminance/Projection, **R/C/T/F/P:** Road/Circulation/Path/Beam/Pedestrian walkway, **E/S/L/A/D/G:** Narrow/Standard/Wide/Asymmetric/Right/Left, **POLEDRIVE:** preset at the bottom of the pole / night dimming calculator with 2 configurable thresholds, set in the bottom of the pole, **Dimming 5:** night dimming calculator with 5 configurable thresholds, **Motion:** moving sensor, **Motion P:** Configurable offset presence detector at the foot of the pole, **Motion DALI:** Detector integrated to the luminaire, adjustable at pole base, **Motion 5:** Motion sensor and dimming calculator, **Motion COM:** Wireless detection and communication, **DALI:** compatible with the DALI protocol, **CLO:** Constant Lumen Output option

BACKLIGHT SHIELD

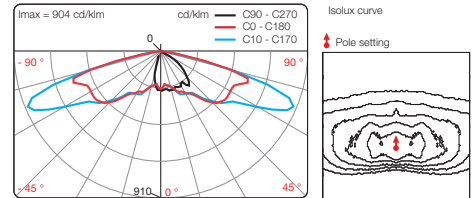


Backlight shield BLS version

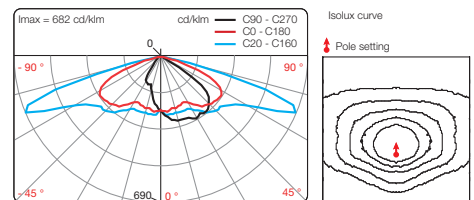
ENZA - ERL



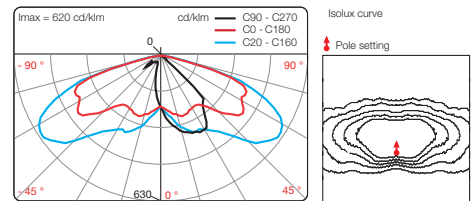
ENZA - ERS



ENZA - LRL



ENZA - LRS



MAINTENANCE

Opening and closing

Opens without tools by pressing the paddle on the top cover {1}



Lighting equipment maintenance

Quick electrical disconnection without tools. Replacement of the equipment by substitution of the box. {2}



Source maintenance

Access to LED strips and lenses after removal of the bowl attached with 3 screws

*LED Luminaires*

Modern Streetfurniture

Waste bins

**Bollards Light**

**tree grill**

Bollards

Classic poles cast iron

Steel poles

MODERN POLES CAST IRON

Defence bollards

Drinkwater fountain

**SEATING**

TRAMWAY POLES

Modern LED luminaires

Classic luminaires

Classic street furniture

**Ghm**

Rue Antoine Durenne  
52220 Sommevoire  
France  
Tel nr. 0033 3 25 55 23 03

**ECLATEC**

41 rue Lafayette  
54320 Maxeville  
France  
Tel nr. 0033 3 83 39 38 28

Export internet : [www.ghm-eclatec.com](http://www.ghm-eclatec.com)

Email export: [info@ghm-eclatec.com](mailto:info@ghm-eclatec.com)