



CHENONCEAUX

Luminaire design: GHM

CHENONCEAUX is the luminaire of princes and the prince of luminaires. It comes together with class and distinction in well-known sites... the Champs-Élysées, for example, but it also helps to bring esteemed elegance to streets, squares and places full of tradition.

Preserving this heritage in no way affects the modern design and manufacture of the technical solutions chosen for this luminaire (choice of materials, manufacturing processes, IP and IK ratings, LED technology, etc.).

Available in two sizes, the LED version of this luminaire takes an ORALED 1 module (CHENONCEAUX III), while CHENONCEAUX size II has a specific module.



ORALED MODULE



Chenonceaux on Metropole 3 bracket



Chenonceaux Manoir wall bracket



Chenonceaux on Vendome pole



CHENONCEAUX



APPLICATIONS

- Mounting: suspended and post top
- Recommended heights: 4 to 6 m
- Urban streets, pedestrians, cycle paths, squares

DESCRIPTION

- Available in 2 sizes: Chenonceaux II and Chenonceaux III
- 3 polycarbonate bowls aluminium version:
 - PHC: deep clear polycarbonate bowl
 - PHS: deep structured polycarbonate bowl
 - PHO: deep opaline polycarbonate bowl
- Polyester powder coating, any colour available
- Varnish on copper
- IP 66
- Chenonceaux III: IK 10
- Class I or II
- 2 types of sources:
 - Chenonceaux II sources
 - Chenonceaux III module (**ORALED 1** module type) with **ORALENS** lenses, module painted 2150 or 2900 sanded grey
- Colour temperature: 4000 K and 3000 K

CITIZEN REFERENCE POINTS

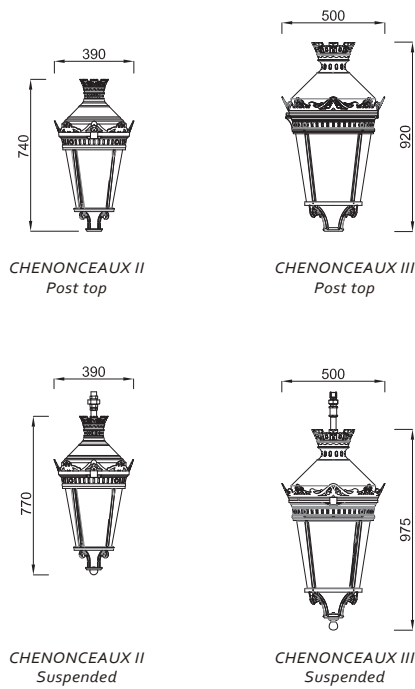
- Materials used:
 - Chenonceaux II aluminium version: Aluminium 78%, Plastic 14%, Steel 6%, Other 2%.
 - Chenonceaux II bronze/copper version: Bronze 69%, Plastic 15%, Other 11%, Copper 5%.
 - Chenonceaux III aluminium version: Aluminium 79%, Plastic 11%, Other 7%, Steel 3%.
 - Chenonceaux III bronze/copper version: Bronze 69%, Plastic 15%, Other 11%, Copper 5%.
- Complies with the RoHS directive
- High recyclability rate

WATERPROOFING

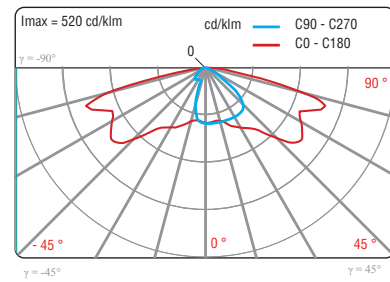
- IP 66 waterproofing in accordance with the standard EN 60 529
- Extruded silicone gasket - high temperature on the body and glass
- Breathing system with activated carbon filter

MECHANICAL INTERFACES

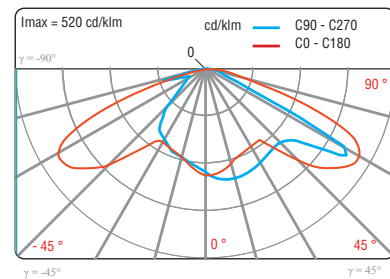
- Suspended: standard, with threaded swivel joint Ø 27 pdg (G3/4") (see page 278 - H)
- Post top: clearance hole for a 27 mm gas thread (see page 278 - K)



CHENONCEAUX III ORALED 1.2 - ERS



CHENONCEAUX III ORALED 1.2 - ERL



KEY POINTS

		CHENONCEAUX II	CHENONCEAUX III
Applications		Urban streets, pedestrians, cycle paths, squares	
Recommended heights		4 to 6 m	
Mounting		Suspended and post top	
Dimensions	Ø	390 mm	500 mm
	height	post top: 740 mm suspended: 770 mm	post top: 920 mm suspended: 975 mm
Weight		7,2 kg	15,3 kg
Windage area		0,12 m ²	0,23 m ²
Sources		<i>Chenonceaux II</i>	<i>Chenonceaux III (ORALED 1 type)</i>
Optics and light distribution options		ORALENS: ECL, ERS, ERL	ORALENS: ECL, ERS, ERL, LRM
OPTIONS	Backlight shield⁽¹⁾ (factory or site assembly)	-	○
	DALI (construction)	○	○
	Dimming 5 (preset)	○	○
	CLO (preset)	Compatible with standard version, Dimming 5, Motion 5 or DALI option	
	Motion COM (setting on site)	○	○
	Motion P (set in the bottom of the pole)	○	○
	POLEDRIVE (set in the bottom of the pole)	○	○

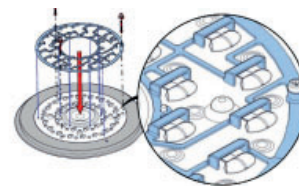
(1) Backlight shield optional except for EPD, EPG, ECa

Glossary:

● Standard ○ Option - Not available

E/L/P: Lighting/Luminance/Projection, **R/C/T/F/P:** Road/Circulation/Path/Beam/Pedestrian walkway, **E/S/L/A/D/G:** Narrow/Standard/Wide/Asymmetric/Right/Left, **POLEDRIVE:** preset at the bottom of the pole / night dimming calculator with 2 configurable thresholds, set in the bottom of the pole, **Dimming 5:** night dimming calculator with 5 configurable thresholds, **Motion:** moving sensor, **Motion P:** Configurable offset presence detector at the foot of the pole, **Motion DALI:** Detector integrated to the luminaire, adjustable at pole base, **Motion 5:** Motion sensor and dimming calculator, **Motion COM:** Wireless detection and communication, **DALI:** compatible with the DALI protocol, **CLO:** Constant Lumen Output option

BACKLIGHT SHIELD



Backlight shield ORALED version

MAINTENANCE

Opening and closing

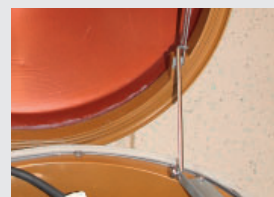
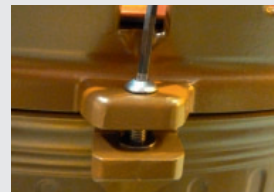
Opening of the cover by a screw.

Led module maintenance

Quick connectors to remove the power supply unit.

Direct access to the module, removable.

Holding the cover open with a prop.





ECLATEC

led verlichting

banken

afvalbakken

custom made producten

houten lichtmasten

stalen lichtmasten

solar verlichting

lichtzuilen

bandstand

boomroosters

plantenbakken

fietsrekken

klassieke lichtmasten

openbare verlichting

terrein verlichting

afzetzpalen

standbeelden

kunst

bollards

fonteinen

Auteursrechten en intellectuele eigendomsrechten

Het auteursrecht op deze brochure berust bij GHM Eclatec B.V. of bij derden (GHM SA en Eclatec SAS) welke met toestemming dit (beeld) materiaal beschikbaar hebben gesteld aan GHM Eclatec B.V. Vermenigvuldiging in wat voor vorm dan ook is alleen toegestaan na voorafgaande toestemming door GHM Eclatec B.V.

Copyright © 2019 GHM Eclatec BV.

Foto credits: ©Eclatec, ©Fotolia, ©Shutterstock, ©GHM

Alle rechten voorbehouden

GHM Eclatec BV Tinstraat 91 2984 AN Ridderkerk 0031 (180) 745043
info@ghm-eclatec.nl www.ghm-eclatec.nl KVK Rotterdam 53536991

Onderdeel van Agora Technologies