



# BEAUREGARD

Luminaire design: GHM

The worthy heir of the lampposts of yesteryear, this luminaire holds a unique place in city centre lighting; the LED technology, combined with a highly contemporary design, has given it a new lease of life. The **BEAUREGARD** luminaire thus perpetuates a familiar ambiance in the hearts of citizens for many years to come, while meeting all modern technical expectations.

Available in two sizes, in stainless steel or copper, this luminaire can be suspended or top-mounted. A range of bowls is available, depending on the effect sought.

In its LED version, which is very widespread nowadays, the **BEAUREGARD** luminaire in size 2 takes a SOMLED 1 module or standardised BLS strips.



BLS STRIPS



SOMLED 1 MODULE



Beauregard on N°7 bracket



Beauregard on Paris II bracket



Beauregard on Metropole I bracket



## BEAUREGARD II



## APPLICATIONS

- Mounting: suspended et post top
- Recommended heights: 3 to 8 m
- Urban streets, pedestrians, cycle paths, squares

## DESCRIPTION

- Four-legged holder in injected aluminium
- Fitting and dome in stainless steel or copper (option)
- Embellishment screws made of brass
- Deep, short or flat bowls
- Structured or flat bowls
- Stainless steel version: Polyester powder coating, standard colour RAL 9005. Other colours on request
- Copper fitting (option): polyester varnish
- IP66
- IK10
- Class I or II
- SOMLED 1 module or BLS STRIPS
- Colour temperature: 4000 K and 3000 K
- Luminaire eligible for Energy Saving Certificates

## CITIZEN REFERENCE POINTS

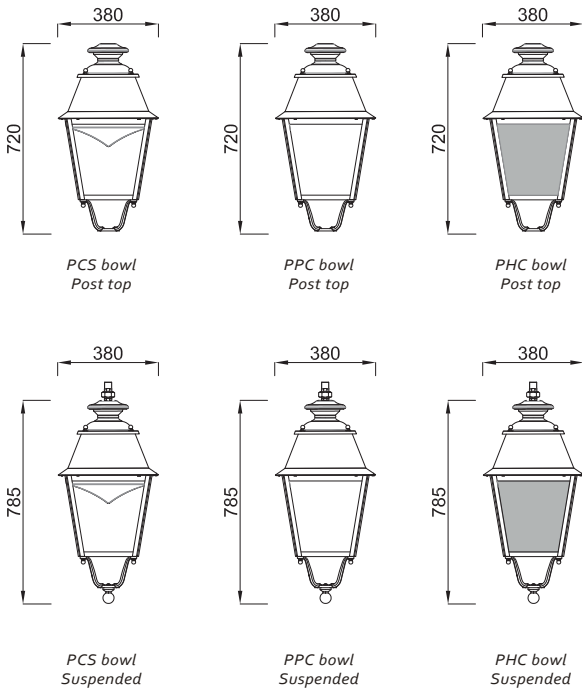
- Materials used: Steel 47%, Aluminium 38%, Other 10%, Plastic 5%
- Complies with the RoHS directive
- ULR < 1%
- High recyclability rate

## WATERPROOFING

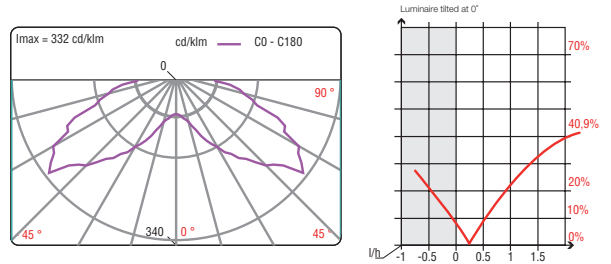
- IP65 waterproofing in accordance with the standard EN 60 529
- Extruded silicone gasket
- Breathing system with activated carbon filter

## MECHANICAL INTERFACES

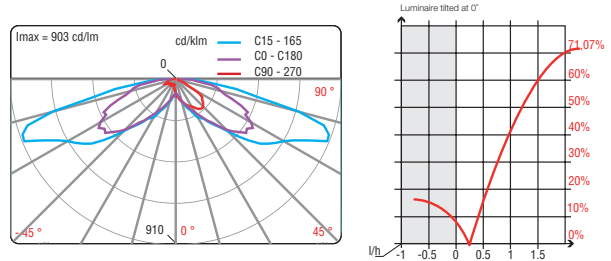
- Post top luminaire: gliding hole for Ø27 pdg (see page 246 - K)  
Optional post top 27 PDG (3/4") for 60/62mm pole {1}
- Suspended luminaire: threaded swivel joint Ø 27 pdg (see page 246 - H)



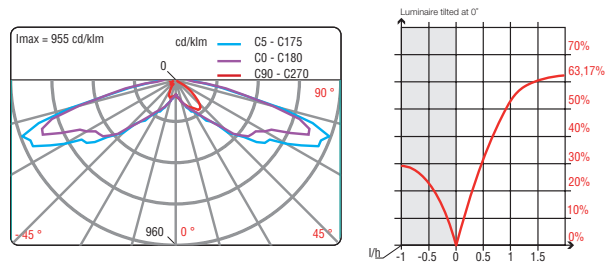
B2 - SOMLED 1 - ECL (B2 suspended, deep bowl)



B2 - SOMLED 1 - ERL (B2 suspended, deep bowl)



B2 - SOMLED 1 - ERS (B2 suspended, deep bowl)



KEY POINTS

		BEAUREGARD II
<b>Applications</b>		Urban streets, pedestrians, cycle paths, squares
<b>Recommended heights</b>		3 to 8 m
<b>Mounting</b>		Post top and suspended
<b>Dimensions</b>	<b>width</b> <b>height</b>	380 mm 720 mm
<b>Weight</b>		10 Kg
<b>Windage area</b>		0,13 m <sup>2</sup> short bowl 0,20 m <sup>2</sup> deep bowl
<b>Sources</b>		<b>SOMLED 1</b> <b>BLS STRIPS</b>
<b>Optics and light distribution options</b>		SOMLED 1: ECL, ERS, ERL BLS STRIPS: ECa, ERS, ERL, LRL, LRS, ERE
<b>OPTIONS</b>	<b>POLEDRIIVE</b> (set in the bottom of the pole)	○
	<b>Dimming 5</b> (preset)	○
	<b>Motion</b> (setting on site)	○
	<b>Motion P</b> (set in the bottom of the pole)	○
	<b>Motion DALI</b> (set in the bottom of the pole)	-
	<b>Motion 5</b> (preset)	○
	<b>DALI</b> (preset)	○
	<b>FC</b> (preset)	Compatible with standard version, Dimming 5 or DALI option

Glossary:

● Standard ○ Option - Not available

**E/L/P:** Lighting/Luminaire/Projection, **R/C/T/F/P:** Road/Circulation/Path/Beam/Pedestrian walkway, **E/S/L/A/D/G:** Narrow/Standard/Wide/Asymmetric/Right/Left, **POLEDRIIVE:** preset at the bottom of the pole / night dimming calculator with 2 configurable thresholds, set in the bottom of the pole, **Dimming 5:** night dimming calculator with 5 configurable thresholds, **Motion:** moving sensor, **Motion P:** Configurable offset presence detector at the foot of the pole, **Motion DALI:** Detector integrated to the luminaire, adjustable at pole base, **Motion 5:** Motion sensor and dimming calculator, **Motion COM:** Wireless detection and communication, **DALI:** compatible with the DALI protocol, **FC:** Compensated flux

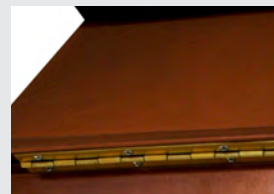
MAINTENANCE

Opening and closing

Opening of the luminaire by 2 quarter-turn screws. Holding the luminaire cover in the open position, held by a steel cable.

Module maintenance

Direct access to the LED module after opening the cover. Power supply by quick connectors. Removable module.





ECLATEC

led verlichting

banken

*afvalbakken*

custom made producten

houten lichtmasten

stalen lichtmasten

*solar verlichting*

lichtzuilen

bandstand

boomroosters

plantenbakken

fietsrekken

*klassieke lichtmasten*

openbare verlichting

terrein verlichting

afzetzpalen

standbeelden

kunst

bollards

fonteinen

Auteursrechten en intellectuele eigendomsrechten

Het auteursrecht op deze brochure berust bij GHM Eclatec B.V. of bij derden (GHM SA en Eclatec SAS) welke met toestemming dit (beeld) materiaal beschikbaar hebben gesteld aan GHM Eclatec B.V. Vermenigvuldiging in wat voor vorm dan ook is alleen toegestaan na voorafgaande toestemming door GHM Eclatec B.V.

Copyright © 2019 GHM Eclatec BV.

Foto credits: ©Eclatec, ©Fotolia, ©Shutterstock. ©GHM

Alle rechten voorbehouden

GHM Eclatec BV Tinstraat 91 2984 AN Ridderkerk 0031 (180) 745043  
info@ghm-eclatec.nl www.ghm-eclatec.nl KVK Rotterdam 53536991

Onderdeel van Agora Technologies