



ZENDA

Luminaire design: ECLATEC

ZENDA indicates a magical trilogy.

By day, the balance and lightness of its line suggest a discrete and effective message, like a resolutely contemporary reminder.

By night, the passer-by places all of their confidence in the reassuring path of its alignments, as if **ZENDA** was showing the way. Finally, **ZENDA** is the successful synthesis of technical performance of LED lighting and the new plastics that this technology uses.

ZENDA can house, optionally, 21 or 30 LEDs, two colour temperatures, adjustable power levels and three distributions (Eca wide circular lighting, ERE narrow road lighting, ERL wide road lighting).



ZENDA SOURCE





ZENDA



APPLICATIONS

- Mounting: top, plate and wall-mounted
- Urban routes, pedestrian walkways, cycle paths, squares, parks, pedestrian areas and residential lighting.
- Recommended heights: 4 to 5 m

DESCRIPTION

- Injection die-cast aluminium body
- Polyester powder coating, any colour available
- IP 66
- IK 10 - 40 joules
- Class I or II
- Luminaire pre-wired in the factory (6 m)
- **ZENDA** source with **UNILENS** lenses
- Colour temperature: 4000 K and 3000 K

CITIZEN REFERENCE POINTS

- Materials used: Aluminium 82%, Other 5%, Steel 6%, Plastic 7%
- Complies with the RoHS directive
- High recyclability rate

WATERPROOFING

- IP 66 waterproofing in accordance with the standard EN 60 529
- Extruded silicone gasket
- Entry sleeve
- Breathing system with activated carbon filter

MECHANICAL INTERFACES

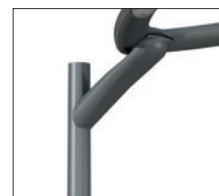
- Top spigot fixation for pole Ø 60/62 mm (see page 278 - D)
- Lateral top spigot fixation for pole Ø 60/62 mm
- Pathway bracket with fastening plate
- Wall-mounted bracket with fastening plate
- Luminaire tilted at 0° or 10°



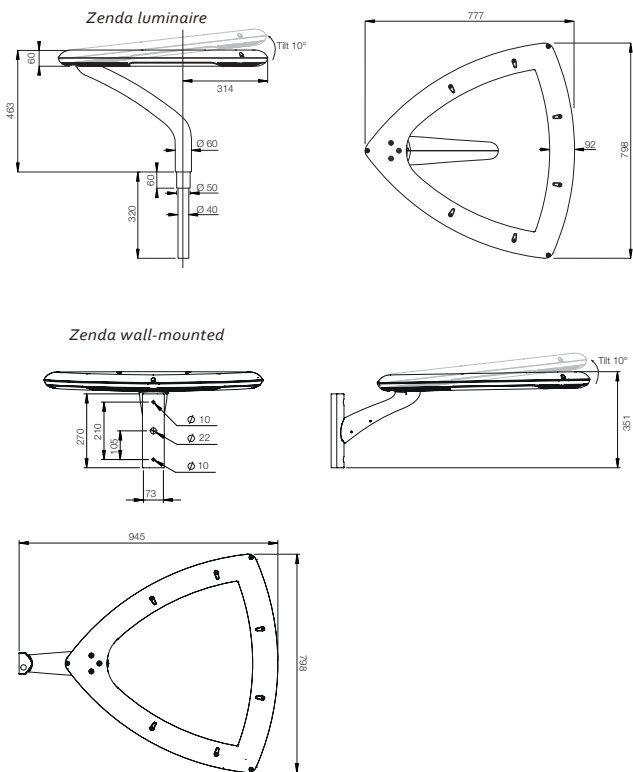
tilt 0°



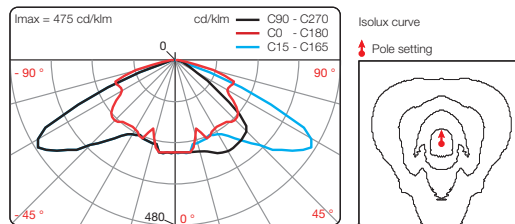
tilt 10°

pathway bracket with
fastening plate

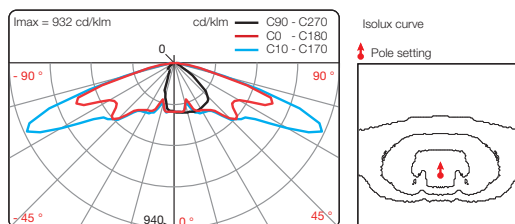
Fastened by lateral top spigot



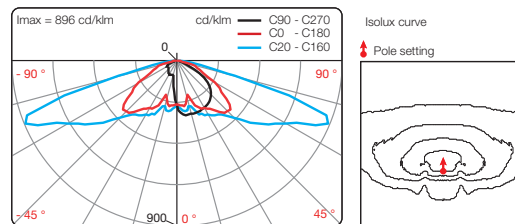
ZENDA ECL



ZENDA ERE



ZENDA ERL



KEY POINTS

| | | ZENDA |
|--|--|--|
| Applications | | Urban routes, pedestrian walkways, cycle paths, squares, parks, pedestrian areas and residential lighting. |
| Recommended heights | | 4 to 5 m |
| Mounting | | Post-top fastening on pole Ø 60/62 mm |
| Dimensions | Depth | 777 mm |
| | width height | 798 mm 463 mm |
| Weight | | 12,3 kg |
| Windage area | | 0,07 m ² |
| Sources | | Specific |
| Sources access | | Direct access to the Led bars by removing the bowls, and to the gears by removing the canopy |
| Optics and light distribution options | | UNILENS: ERE, ERL, ECL |
| OPTIONS | Configurable current | ○ |
| | DALI (construction) | ○ |
| | Dimming 5 (preset) | ○ |
| | CLO (preset) | Compatible with standard version, Dimming 5 or DALI option |
| | Motion COM (setting on site) | ○ |
| | Motion P (set in the bottom of the pole) | ○ |
| | POLEDRIVE (set in the bottom of the pole) | ○ |

Glossary:
 ● Standard ○ Option - Not available

E/L/P: Lighting/Luminance/Projection, **R/C/T/F/P:** Road/Circulation/Path/Beam/Pedestrian walkway, **E/S/L/A/D/G:** Narrow/Standard/Wide/Asymmetric/Right/Left, **POLEDRIVE:** preset at the bottom of the pole / night diming calculator with 2 configurable thresholds, set in the bottom of the pole, **Dimming 5:** night diming calculator with 5 configurable thresholds, **Motion P:** Configurable offset presence detector at the foot of the pole, **Motion COM:** Wireless detection and communication, **DALI:** compatible with the DALI protocol, **CLO:** Constant Lumen Output option

MAINTENANCE

Opening and closing

Opening by screws

Lighting equipment maintenance

Direct access to the gears by removing the canopy

Maintenance of the LED strips

Direct access to the Led bars by removing the bowls



LED Luminaires

Modern Streetfurniture

Waste bins

Bollards Light

tree grill

Bollards

Classic poles cast iron

Steel poles

MODERN POLES CAST IRON

Defence bollards

Drinking water fountain

SEATING

TRAMWAY POLES

Modern LED luminaires

Classic luminaires

Classic street furniture

Ghm

Rue Antoine Durenne
52220 Sommevoire
France
Tel nr. 0033 3 25 55 23 03

ECLATEC

41 rue Lafayette
54320 Maxeville
France
Tel nr. 0033 3 83 39 38 28

Export internet : www.ghm-eclatec.com

Email export: info@ghm-eclatec.com