



# REFLEX

Luminaire design: Jean-Michel WILMOTTE

**REFLEX** masters the delicate exercise of combining reason and mystery to the millimetre. By day, **REFLEX** raises up as the master of reason.

The absolute harmony of its proportions evokes the virtues of purity attributed to the reason of the Age of ...the Enlightenment

By night, a halo that seems suspended in the air emits a comfortable and reassuring light to the inhabitants.

**REFLEX**, a pioneer of indirect lights, keeps its relevance thanks to LED sources.

In this new world of savings, reason triumphs again without betraying the magic of the creator.



INTEGRATED BLS STRIPS



ORALED MODULE



SEOLED MODULE



LEOLED MODULE





REFLEX INDIRECT



REFLEX DIRECT



## APPLICATIONS

- Mounting: top
- Car parks, parks and gardens, residential lighting
- Recommended heights: 4 to 5 m

## DESCRIPTION

- Bladed cone and arms made of injected aluminium
- Diffuser made of Composite material
- Polyester powder coating, any colour available
- IP 66
- IK 08
- Class I or II
- Reflex direct.
  - **ORALED 1** module equipped with an **ORALENS** mono lens in PMMA/IK 08, module colour grey 2150 sanded or 2900 sanded
  - **SEOLED 1** module: equipped with BLS with **QUADRALENS** lenses and glass bowl/IK 08, module colour grey 2150 sanded or 2900 sanded
- Reflex indirect:
  - **LEOLED** module equipped with a **LEOLENS** mono lens in pressed glass
  - Colour temperature: 3500 K

## CITIZEN REFERENCE POINTS

- Materials used: Aluminium 57%, Polyester 38%, Steel 3%, Glass 2%
- Complies with the RoHS directive
- High recyclability rate

## WATERPROOFING

- IP 66 waterproofing in accordance with the standard EN 60 529
- Extruded silicone gasket
- Cable gland with anchoring device

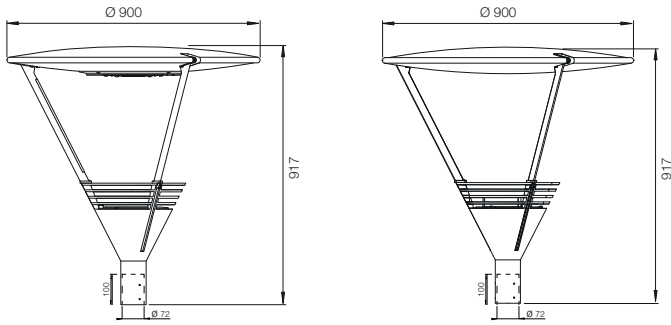


Grommet (Reflex direct)

## MECHANICAL INTERFACES

- Post top fastening on a specific steel pole Ø 90 mm with spigot Ø 70 x 100 mm

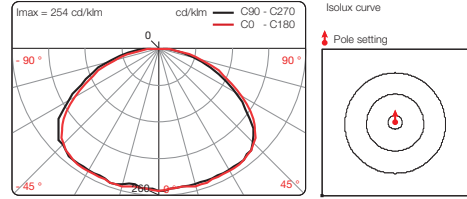




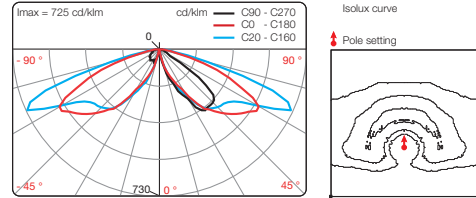
Reflex Direct

Reflex Indirect

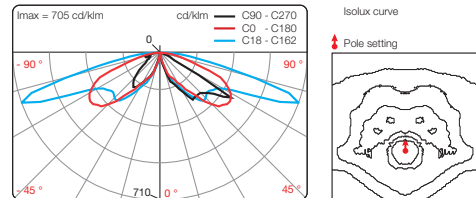
REFLEX LEOLED - ECL



REFLEX ORALED - ERS



REFLEX ORALED - ERL



KEY POINTS

		REFLEX DIRECT	REFLEX INDIRECT
<b>Applications</b>		Car parks, parks and gardens, residential lighting	
<b>Recommended heights</b>		4 to 5 m	
<b>Mounting</b>		Post top fastening on a specific steel pole Ø 90 mm with spigot Ø 70 x 100 mm	
<b>Dimensions</b>	Ø	900 mm	
	height	917 mm	
<b>Weight</b>		15,1 kg	13,1 kg
<b>Windage area</b>		0,08 m²	
<b>Sources</b>		ORALED 1 SEOLED 1	LEOLED
<b>Sources access</b>		Removable LED module	Removable LEOLED module
<b>Optics and light distribution options</b>		ORALENS: ERS, ERL, ECL, LRM QUADRALENS <sup>®</sup> : ERS, ERL, ERE, LRS, LRL, PFA, EPD, EPG, ETS, ECa	LEOLENS: ECL
<b>OPTIONS</b>	<b>Backlight shield<sup>(1)</sup></b> (factory or site assembly)	○	-
	<b>SMART-READY<sup>(2)</sup></b> by Eclatec (construction)	○	-
	<b>DALI</b> (construction)	-	○
	<b>Dimming 5</b> (preset)	○	○
	<b>CLO</b> (preset)	Compatible with standard version, Dimming 5, Motion 5 or DALI option	
	<b>Motion 5</b> (preset)	○	-
	<b>Motion</b> (setting on site)	○	-
	<b>Motion COM</b> (setting on site)	○	-
	<b>Motion P</b> (set in the bottom of the pole)	-	○
	<b>POLEDRIIVE</b> (set in the bottom of the pole)	○*	○

\* Uniquely integrated into the luminaire

(1) Backlight shield except for EPD, EPG, ECa

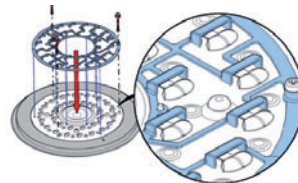
(2) Preconfigured communicating system: Wired Sensor Ready type driver and Zhaga consortium base

Glossary:

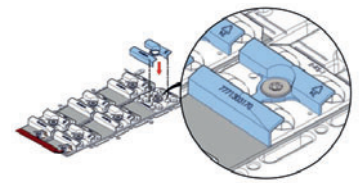
- Standard
- Option
- Not available

**E/L/P:** Lighting/Luminance/Projection, **R/C/T/F/P:** Road/Circulation/Path/Beam/Pedestrian walkway, **E/S/L/A/D/G:** Narrow/Standard/Wide/Asymmetric/Right/Left, **POLEDRIIVE:** preset at the bottom of the pole / night dimming calculator with 2 configurable thresholds, set in the bottom of the pole, **Dimming 5:** night dimming calculator with 5 configurable thresholds, **Motion:** moving sensor, **Motion P:** Configurable offset presence detector at the foot of the pole, **Motion DALI:** Detector integrated to the luminaire, adjustable at pole base, **Motion 5:** Motion sensor and dimming calculator, **Motion COM:** Wireless detection and communication, **DALI:** compatible with the DALI protocol, **CLO:** Constant Lumen Output option

BACKLIGHT SHIELD



Backlight shield ORALED version



Backlight shield BLS version

MAINTENANCE

Reflex direct maintenance

Removal of the LED modules by 4 screws.

Removable module

Reflex indirect maintenance

Removal of the LEOLED module by 3 screws.

