



MURENA

Luminaire design: Eclatec

Exceeding function, the lines of **MURENA** target discrete elegance.

Inspired by Italian design, its silhouette gives it a resolutely modern dynamism.

MURENA remains no less efficient, with its easy mounting and the ease of access to its components.



TABLED 2 MODULE



INTEGRATED BLS STRIPS



Murena Top



Murena on KCA bracket



Murena on GALA curved pole



MURENA with BLS strips



MURENA with TABLED

APPLICATIONS

- Mounting: top and side entry
- Recommended heights: 4 to 10 m
- Urban routes, pedestrian walkways, cycle paths, squares, parks and pedestrian areas

DESCRIPTION

- Injection die-cast aluminium body
- Luminaire opens without tools
- Polyester powder coating, any colour available
- IP 66
- Class I or II
- 2 types of sources:
 - TABLED 2** module:
 - with a TABLENS mono lens in PMMA, **IK 07**
 - colour temperature: 4000 K and 3000 K
 - BLS strips:**
 - equipped with **QUADRALENS** lenses and bowl in thermally toughened and printed glass, **IK 10**
 - colour temperature: 2400K, 2700K, 4000 K and 3000 K

RETROFIT

- The **TABLED 2** module can be used to equip Murena luminaires that were initially equipped with discharge lamps.

CITIZEN REFERENCE POINTS

- Materials used:
 - TABLED 2: Aluminium 85%, Plastic 5%, Other 7%, Steel 3%
 - BLS: Aluminium 73%, Glass 10%, Steel 12%, Plastic 4%, Other 1%
- Complies with the RoHS directive
- High recyclability rate

WATERPROOFING

- IP 66 waterproofing in accordance with the standard EN 60 529
- Extruded pneumatic silicone gasket
- Cable gland with anchoring device
- Breathing system with activated carbon filter

MECHANICAL INTERFACES

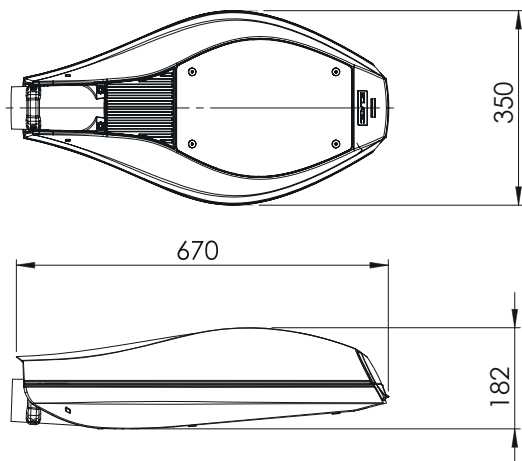
- Luminaire post top mounted on pole \varnothing 60/62 mm
For pole \varnothing 76 mm top, optional spigot A (see page 278)
Tilts 0° and 10°
- Luminaire lateral mounted on bracket \varnothing 60 mm
Tilts 0°, -5° and -15°
Moving from the side entry to the post top version by a convertible sleeve (2 screws fixation)
- Decorative trim for Murena



Top Fixation

Side entry fixation
Bracket tilt at 15°

Decorative trim



KEY POINTS

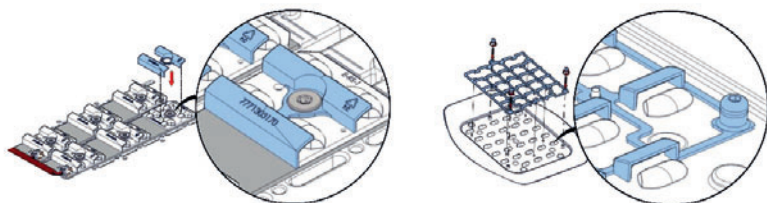
		MURENA
Applications		Urban routes, pedestrian walkways, cycle paths, squares, parks and pedestrian areas
Recommended heights		4 to 10 m
Mounting		Top and side entry
Dimensions	Length	681 mm
	width	351 mm
	height	183 mm
Weight		11,5 kg
Windage area		0,075 m ²
Source		TABLED 2 BLS strips
Sources access		Luminaire opens without tools Removable TABLED 2 module
Optics and light distribution options		TABLES: ERS, ERL, LRM QUADRALENS: ERS, ERL, ERE, LRS, LRL, PFA, EPD, EPG, ETS, ECa
OPTIONS	Backlight shield⁽¹⁾ (factory or site assembly)	<input type="radio"/>
	SMART-READY[®] (2) by Eclatec (construction)	<input type="radio"/>
	DALI (construction)	<input type="radio"/>
	Dimming 5 (preset)	<input type="radio"/>
	CLO (preset)	Compatible with standard version, Dimming 5 and DALI option
	Motion COM (setting on site)	<input type="radio"/>
	Motion P (set in the bottom of the pole)	<input type="radio"/>
	POLEDRIVE (set in the bottom of the pole)	<input type="radio"/>

(1) Backlight shield optional except for EPD, EPG, ECa
 (2) Preconfigured communicating system: Wired Sensor Ready type driver and Zhaga consortium base. Tabled version: be sure to hold the connector when installing the module

Glossary:
 ● Standard ○ Option - Not available

E/L/P: Lighting/Luminance/Projection, **R/C/T/F/P:** Road/Circulation/Path/Beam/Pedestrian walkway, **E/S/L/A/D/G:** Narrow/Standard/Wide/Asymmetric/Right/Left, **POLEDRIVE:** preset at the bottom of the pole / night dimming calculator with 2 configurable thresholds, set in the bottom of the pole, **Dimming 5:** night dimming calculator with 5 configurable thresholds, **Motion:** moving sensor, **Motion P:** Configurable offset presence detector at the foot of the pole, **Motion DALI:** Detector integrated to the luminaire, adjustable at pole base, **Motion 5:** Motion sensor and dimming calculator, **Motion COM:** Wireless detection and communication, **DALI:** compatible with the DALI protocol, **CLO:** Constant Lumen Output option

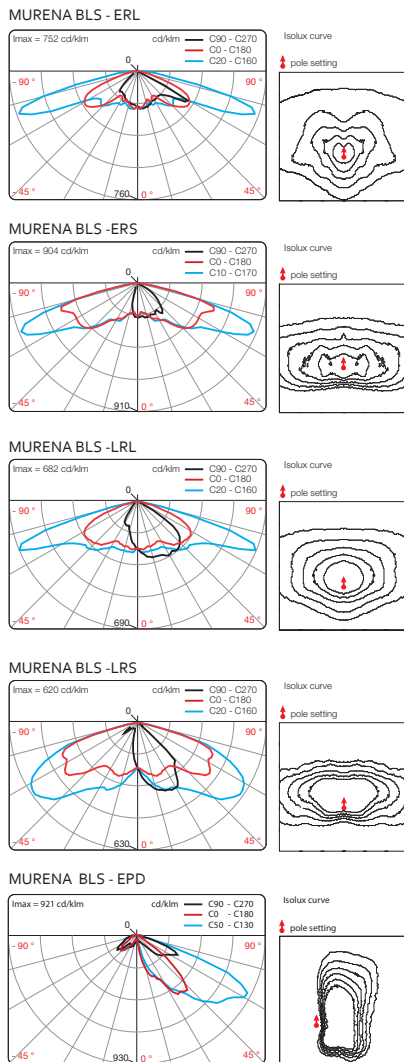
BACKLIGHT SHIELD



Backlight shield BLS version

Backlight shield TABLED 2 version

PHOTOMETRIC DISTRIBUTIONS



MAINTENANCE

Opening and closing

Opening of the luminaire without tools by push button located on the cover at the front of the luminaire {1}

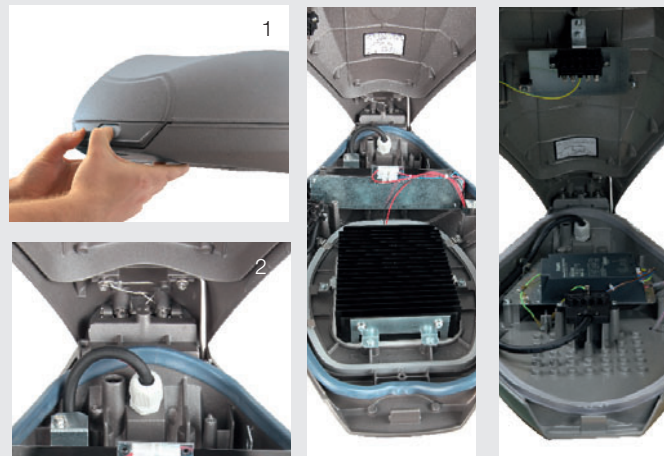
The upper cover is held in the open position by a safety prop {2}
 Cutting of the power supply when the luminaire is opened

TABLED 2 maintenance

Direct access to the equipment and the TABLED 2 module once the cover is opened

BLS Maintenance (2)

Direct access to the equipment once the cover is opened.
 Access to BLS after removal of the bowl attached with 4 screws



LED Luminaires

Modern Streetfurniture

Waste bins

Bollards Light

tree grill

Bollards

Classic poles cast iron

Steel poles

MODERN POLES CAST IRON

Defence bollards

Drinkwater fountain

SEATING

TRAMWAY POLES

Modern LED luminaires

Classic luminaires

Classic street furniture

Ghm

Rue Antoine Durenne
52220 Sommevoire
France
Tel nr. 0033 3 25 55 23 03

ECLATEC

41 rue Lafayette
54320 Maxeville
France
Tel nr. 0033 3 83 39 38 28

Export internet : www.ghm-eclatec.com

Email export: info@ghm-eclatec.com