



LINK

by ECLATEC

Luminaire design: ECLATEC

The **LINK** pedestrian luminaire creates an elegant link between function and form.

By night, it does its job very effectively, giving pedestrians an indispensable sense of safety. In that function, it also allows a very wide range of possibilities by adding a personalised touch to the urban atmosphere.

By day, its clean design tones easily with diverse cityscapes.

The **LINK** lives up to its name by creating a resolutely contemporary link between night and day.

This luminaire is available in many versions: with clear or structured deep bowls and clear or opaline shallow bowls.

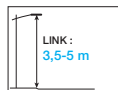


LINK SOURCE



INTEGRATED BLS STRIPS





LINK SHORT BOWLS



Clear



Opaline

LINK DEEP BOWLS



Clear



Structured

APPLICATIONS

- Mounting: top
- Carparks, parks and gardens, pedestrian paths, cycle paths.
- Recommended heights: 3,5 to 5 m

DESCRIPTION

- Models available in 3 levels:
 - 1E: Unique version for standard use
 - 2EA: Fixed settings for night dimming
 - 2EB: Fixed current setting at 700 mA, without options
 - 3E: Most efficient and customizable version Injected die cast aluminium bottom and canopy
- Base, cover and arm in injected die-cast aluminium
- Four polycarbonate bowls: deep clear, deep structured, shallow clear and shallow opaline
- Single Aluminium Grey polyester powder coating finish
- IP 66
- IK 10 - 50 joules
- Class I or II
- 2 types of sources:
 - **LINK source** (ORALED type) equipped with an **ORALENS** mono lens
 - Standard BLS LED strips equipped with QUADRALENS lenses
- Colour temperature: 4000 K and 3000 K

CITIZEN REFERENCE POINTS

- Materials used: Aluminium 64%, Plastic 27%, Steel 6%, Other 3%,
- Complies with the RoHS directive
- High recyclability rate

WATERPROOFING

- IP 66 waterproofing in accordance with the standard EN 60 529
- Extruded pneumatic silicone gasket
- Breathing system with activated carbon filter

MECHANICAL INTERFACES

- Top fastening for Ø 60/62 mm pole, fixed with six screws
- For standard Ø 76 mm pole, C end available as an option (see page 278)



		LINK		
		1E ★	2E ^{A/B} ★★	3E ★★★
Applications		Carparks, parks and gardens, pedestrian paths, cycle paths.		
Recommended heights		3,5 to 5 m		
Mounting		Wrapping pole Ø 60/62 mm and Ø 76 mm with adapter. Screw locking		
Dimensions	Ø height	390 mm 630 mm		
Weight		8.5 kg		
Windage area		0,13 m ²		
Colour (*RAL to be chosen)		2900 sanded	●	●
Specific LED sources	LED Module	LINK 1.0	LINK 1	LINK 1
		LINK 1.1 2 BLS 12	BLS strips	BLS strips
	Very high Efficiency LED	LINK 1.0 2 BLS 12	●	●
High Efficiency LED	LINK 1.1	-	-	
Colour temperature	3000 K	-	●	●
	4000 K	●	●	●
Sources access		Direct access to the plate after removing the cover with 4 captive screws		
Optics and light distribution options		ORALENS	ORALENS: ERS, ERL, ECL, LRM	
		QUADRALENS ⁽¹⁾ : ERS, ERL	QUADRALENS ⁽¹⁾ : ERS, ERL, ECa, ERE, ETS, LRS, LRL	
Power supply current (mA)		700 mA	A: ANF* B: 700 mA	100 to 700 mA
OPTIONS	Backlight shield⁽¹⁾ (factory or site assembly)	○	○	○
	SMART-READY⁽²⁾ by Eclatec (construction)	-	-	○
	DALI (construction)	-	-	○
	Dimming 5 (preset)	-	-	○
	CLO (preset)	-	-	○
	Motion COM (setting on site)	-	-	○
	Motion DALI (set in the bottom of the pole)	-	-	○
	Motion P (set in the bottom of the pole)	-	-	○
POLEDRIVE (set in the bottom of the pole)	-	-	○	
Driver protection	10 kV	-	-	●
	8 kV	-	●	-
	4 kV	●	-	-
Class	Class I	-	●	●
	Class II	●	●	●
Pre-wired		-	○	○
Mechanical interfaces	Top covering Ø 60/62 mm	●	●	●
	Top penetrating Ø 76 mm	-	○	○

* ANF: Unique program for driver, Fixed Night Dimming: 23 h – 5 h at 350 mA and 700 mA for the remaining time,

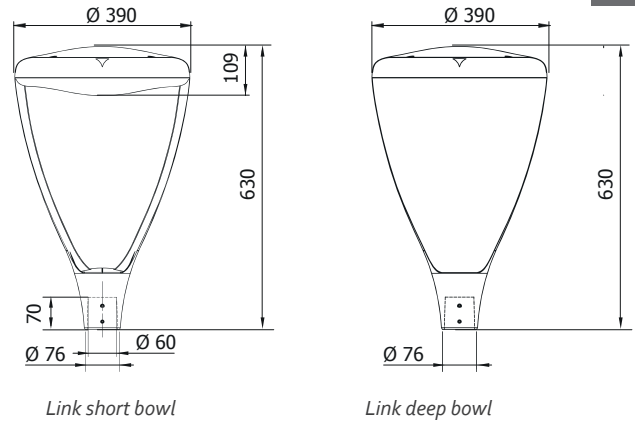
(1) Backlight shield optional except for EPD, EPG, ECa

(2) Preconfigured communicating system: Wired Sensor Ready type driver and Zhaga consortium base

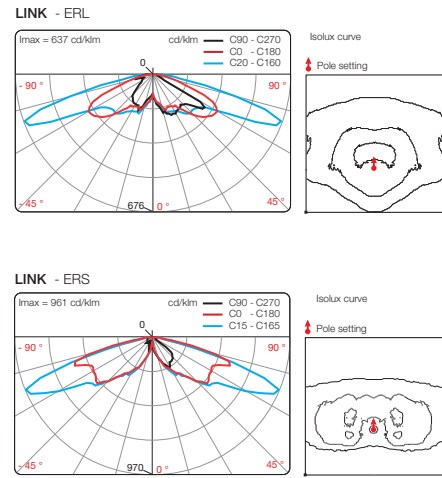
Glossary:

● Standard ○ Option - Not available

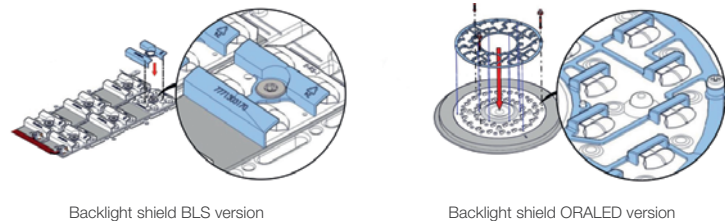
E/L/P: Lighting/Luminance/Projection, **R/C/T/F/P:** Road/Circulation/Path/Beam/Pedestrian walkway, **E/S/L/A/D/G:** Narrow/Standard/Wide/Asymmetric/Right/Left, **POLEDRIVE:** preset at the bottom of the pole / night dimming calculator with 2 configurable thresholds, set in the bottom of the pole, **Dimming 5:** night dimming calculator with 5 configurable thresholds, **Motion:** moving sensor, **Motion P:** Configurable offset presence detector at the foot of the pole, **Motion DALI:** Detector integrated to the luminaire, adjustable at pole base, **Motion 5:** Motion sensor and dimming calculator, **Motion COM:** Wireless detection and communication, **DALI:** compatible with the DALI protocol, **CLO:** Constant Lumen Output option



PHOTOMETRIC DISTRIBUTIONS



BACKLIGHT SHIELD



MAINTENANCE

Maintenance of the equipment

Direct access to the plate after removing the cover with 4 captive screws

Sources maintenance

Direct access to the optical source after removal of the upper part by 2 screws.



LED Luminaires

Modern Streetfurniture

Waste bins

Bollards Light

tree grill

Bollards

Classic poles cast iron

Steel poles

MODERN POLES CAST IRON

Defence bollards

Drinking water fountain

SEATING

TRAMWAY POLES

Modern LED luminaires

Classic luminaires

Classic street furniture

Ghm

Rue Antoine Durenne
52220 Sommevoire
France
Tel nr. 0033 3 25 55 23 03

ECLATEC

41 rue Lafayette
54320 Maxeville
France
Tel nr. 0033 3 83 39 38 28

Export internet : www.ghm-eclatec.com

Email export: info@ghm-eclatec.com