



KEO

Luminaire design: Michel TORTEL

KEO is a decorative urban LED luminaire, primarily designed for pedestrian public spaces. It's design makes the best use of LED technology; in effect, this luminaire offers innovative visual comfort by way of a unique gentle light diffusing design.

To this end, the designer has created an original underside, in relief, which reduces glare at night without altering the lighting level. Available as an option, this wide, retro-lit, underside seduces with its subtle presence.

By day, a mirror effect dims the surface as you move away from the object and favours its integration into the environment, as does the simple and refined general design of **KEO**, offering a thin and equally discrete silhouette.



KEO SOURCE





KEO



APPLICATIONS

- Mounting: Post-top
- Urban routes, pedestrian walkways, cycle paths, squares, parks and pedestrian areas.
- Recommended heights: 4 to 5 m

DESCRIPTION

- Injection die-cast aluminium body
- Two-material polycarbonate opal and clear bowl, with Led backlight as an option: white or other colours on request
- Polyester powder coating, any colour available
- IP 66
- IK 10
- **KEO** source with **UNILENS** lenses
- Colour temperature: 4000 K and 3000 K
- Class I or II
- Luminaire pre-wired in the factory (6 m)

CITIZEN REFERENCE POINTS

- Materials used: Aluminium 70%, Plastic 20%, Steel 8%, Other 2%
- Complies with the RoHS directive
- High recyclability rate

WATERPROOFING

- IP 66 waterproofing in accordance with the standard EN 60 529
- Entry sleeve with membrane seal
- Extruded silicone gasket
- Breathing system with activated carbon filter

MECHANICAL INTERFACES

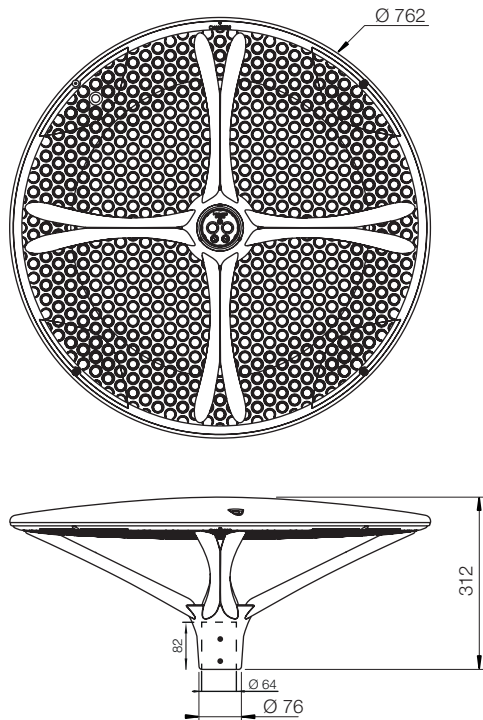
- Post top fastening pole Ø 60/62 mm
- Post-top fixation for pole Ø 76 mm with a spigot Ø 60 mm L 85 mm
For pole Ø 76 mm top, optional spigot B (see page 278)



Post-top fixation for pole Ø 76 mm



Post top fastening pole Ø 60/62 mm



KEY POINTS

		KEO
Applications		Urban routes, pedestrian walkways, cycle paths, squares, parks and pedestrian areas.
Recommended heights		4 to 5 m
Mounting		Post-top fastening on pole Ø 60/62 mm
Dimensions	Ø	762 mm
	height	312 mm
Weight		14 kg
Windage area		0,08 m ²
Sources		KEO Option: Led backlight of the bowl (white or other colour on request)
Optics and light distribution options		UNILENS: ECL, ERE, ERL
OPTION	SMART-READY® (2) by Eclatec (construction)	○
	DALI (construction)	○
	Dimming 5 (preset)	○
	CLO (preset)	Compatible with standard version, Dimming 5 or DALI option
	Motion COM (setting on site)	○
	Motion P (set in the bottom of the pole)	○
	POLEDRIVE (set in the bottom of the pole)	○

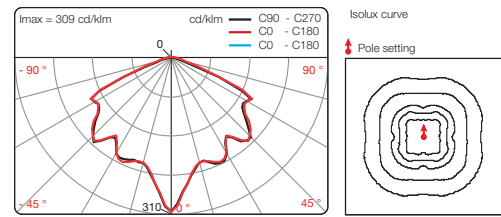
(2) Preconfigured communicating system: Wired Sensor Ready type driver and Zhaga consortium base

Glossary:

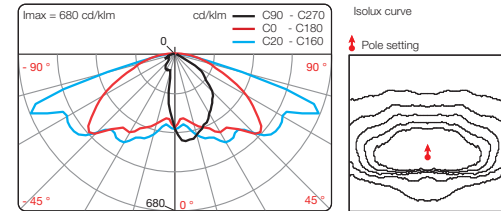
● Standard ○ Option - Not available

E/L/P: Lighting/Luminance/Projection, **R/C/T/F/P:** Road/Circulation/Path/Beam/Pedestrian walkway, **E/S/L/A/D/G:** Narrow/Standard/Wide/Asymmetric/Right/Left, **POLEDRIVE:** preset at the bottom of the pole / night dimming calculator with 2 configurable thresholds, set in the bottom of the pole. **Dimming 5:** night dimming calculator with 5 configurable thresholds, **Motion P:** Configurable offset presence detector at the foot of the pole, **Motion COM:** Wireless detection and communication, **DALI:** compatible with the DALI protocol, **CLO:** Constant Lumen Output option

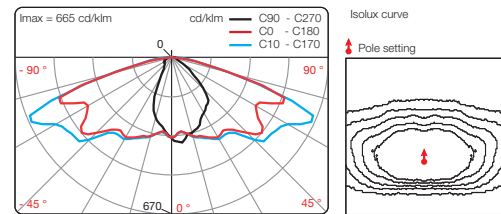
KEO ECL



KEO ERL



KEO ERE



BACKLIGHT OPTION (WHITE, BLUE OR RED)



Blue Led backlight



Red Led backlight

MAINTENANCE

Luminaire maintenance

Interchangeability of the luminaire

LED Luminaires

Modern Streetfurniture

Waste bins

Bollards Light

tree grill

Bollards

Classic poles cast iron

Steel poles

MODERN POLES CAST IRON

Defence bollards

Drinkwater fountain

SEATING

TRAMWAY POLES

Modern LED luminaires

Classic luminaires

Classic street furniture

Ghm

Rue Antoine Durenne
52220 Sommevoire
France
Tel nr. 0033 3 25 55 23 03

ECLATEC

41 rue Lafayette
54320 Maxeville
France
Tel nr. 0033 3 83 39 38 28

Export internet : www.ghm-eclatec.com

Email export: info@ghm-eclatec.com