



# INDICE

Luminaire design: Eclatec

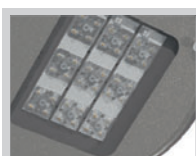
This luminaire disguises its true purpose well; this intention inspired the creation of **INDICE**.

Over and above its apparent wisdom, on examination, this luminaire reveals a more playful temperament, asserting itself with joy by way of a happy panoply of domes, cross-arms and mountings.

For each usage, each context, each intention, an “interactive” choice is left for the designer, who assembles their idea and loves the joyous simplicity of **INDICE**.



ORALED MODULE



SEOLED MODULE



INTEGRATED BLS STRIPS



Indice on U-bracket



Indice on curved pole



Indice on U-bracket



INDICE 500 With SEOLED 1 module



INDICE 620 With ORALED 2 module



## APPLICATIONS

- Mounting: top, suspended and side entry
- Indice 500: Pedestrian areas, cycle paths, residential areas, street lighting  
Indice 620: Roads, secondary urban and inter-urban streets
- Recommended heights: Indice 500: 4 to 6 m / Indice 620: 6 to 8 m

## DESCRIPTION

- Luminaire available in 2 sizes: Indice 500 and Indice 620
- Body and frame in injected die-cast aluminium
- Choice of aluminium domes: Graphic, Spiral, Volute and Parabol
- Polyester powder coating, any colour available
- IP 66
- Class I or II
- Luminaire pre-wired in the factory (6 m) (except suspended)
- 2 types of sources:

### ORALED 1 and 2 module:

- equipped with an **ORALENS** mono lens in PMMA/**IK 08**,  
module colour grey 2150 sanded or 2900 sanded
- colour temperature: 4000 K and 3000 K

### SEOLED 1 and 2 module:

- equipped with BLS with **QUADRALENS** lenses and glass bowl/**IK 08**,  
module colour grey 2150 sanded or 2900 sanded
- colour temperature: 2400 K, 2700 K, 3000 K or 4000 K

- Luminaire eligible for Energy Saving Certificates

## CITIZEN REFERENCE POINTS

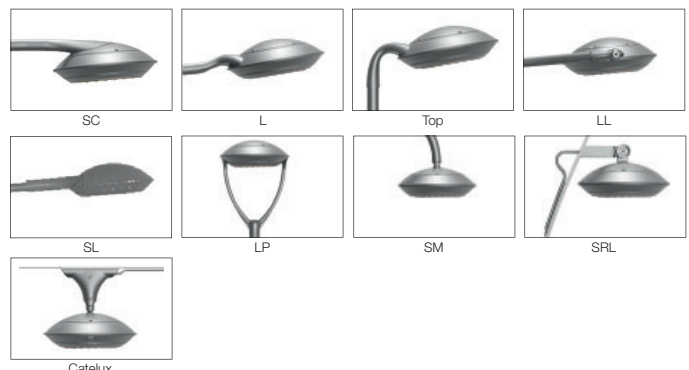
- Materials used:
  - Indice 500: Aluminium 86%, Plastic 6%, Other 7%, Steel 1%
  - Indice 620: Aluminium 87%, Plastic 6%, Other 6%, Steel 1%
- Complies with the RoHS directive
- High recyclability rate

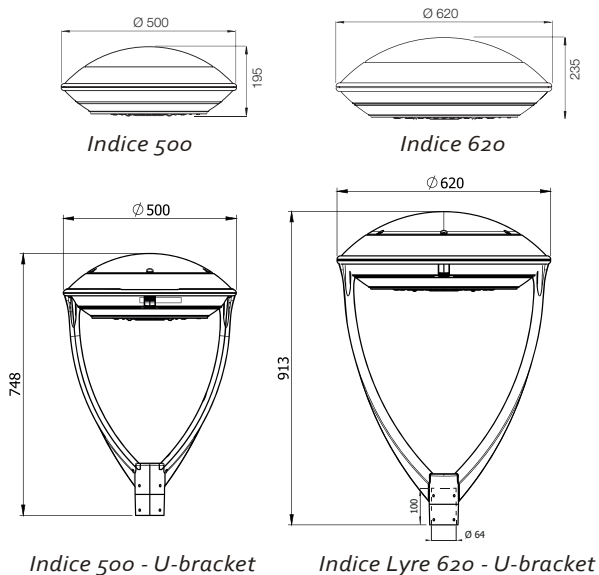
## WATERPROOFING

- IP 66 waterproofing in accordance with the standard EN 60 529
- Pneumatic silicone gasket
- Cable gland with anchoring device
- Breathing system with activated carbon filter

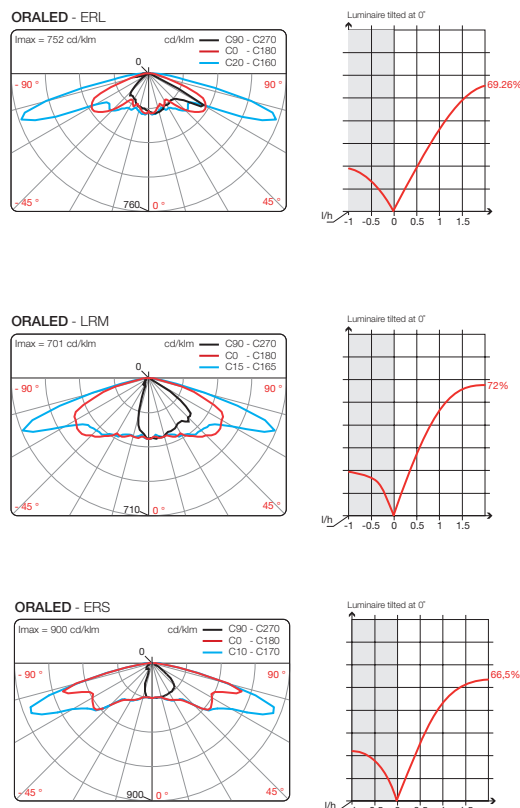
## MECHANICAL INTERFACES

- SC: Indice Suspended spoon coupled with sleeve to suit Ø 60 mm bracket arm (Graphic dome) (see page 278 - E, F)
- L: Indice side entry fitting for bracket end with external Ø 60 mm (any dome) (see page 278 - E, F)
- Top: Indice Top fitting for pole Ø 60/62 mm (any dome) (see page 278 - D)
- LL: Indice lateral U-bracket (any dome) (see page 278 - E, F)
- SL: Indice lateral suspended for bracket end with external Ø 60 mm (graphic dome)
- LP: Indice top mounted U-bracket Ø 60 mm/ l=100 mm (any dome) (see page 278 -A)
- SM: Indice Suspended with Ø 3/4" thread (any dome) (see page 278 - H)
- SR: Indice suspended with swivel joint (any domes) (see page 278 - E, F)
- CATELUX: Indice with SM Ø 27 pdg (G3/4") fixation. Fixation on 5 to 14 mm diameter mechanical cable





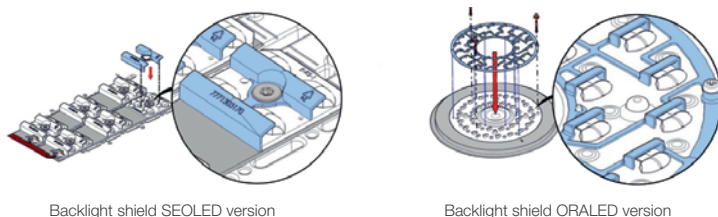
PHOTOMETRIC DISTRIBUTIONS



KEY POINTS

	INDICE 500	INDICE 620	
<b>Applications</b>	Pedestrian areas, cycle paths, residential areas, street lighting	Roads, secondary urban and inter-urban streets	
<b>Recommended heights</b>	4 to 6 m	6 to 8 m	
<b>Mounting</b>	See Mechanical interfaces		
<b>Dimensions</b>	Ø 465 mm height 245 mm	Ø 565 mm height 275 mm	
<b>Weight</b>	6,6 kg	9,3 kg	
<b>Windage area</b>	0,06 m <sup>2</sup>	0,09 m <sup>2</sup>	
<b>Sources</b>	ORALED 1 SEOLED 1	ORALED 2 SEOLED 2	
<b>Sources access</b>	Removable ORALED and SEOLED modules		
<b>Optics and light distribution options</b>	ORALENS: ERS, ERL, ECL, LRM QUADRALENS <sup>(1)</sup> : ERS, ERL, ERE, LRS, LRL, PFA, EPD, EPG, ETS, ECa	ORALENS: ERS, ERL, LRM, LRE QUADRALENS <sup>(1)</sup> : ERS, ERL, ERE, LRS, LRL, PFA, ECa	
<b>Power supply current (mA)</b>	100 to 700 mA		
<b>OPTIONS</b>	<b>Backlight shield<sup>(1)</sup></b> (factory or site assembly)	<input type="radio"/>	<input type="radio"/>
	<b>SMART-READY<sup>(2)</sup></b> by Eclatec (construction)	<input type="radio"/>	<input type="radio"/>
	<b>DALI</b> (construction)	<input type="radio"/>	<input type="radio"/>
	<b>Dimming 5</b> (preset)	<input type="radio"/>	<input type="radio"/>
	<b>CLO</b> (preset)	Compatible with standard version, Dimming 5, Motion 5 or DALI option	
	<b>Motion 5</b> (setting on site)	<input type="radio"/>	-
	<b>Motion</b> (setting on site)	<input type="radio"/>	-
	<b>Motion P</b> (set in the bottom of the pole)	<input type="radio"/>	<input type="radio"/>
<b>Motion COM</b> (setting on site)	<input type="radio"/>	-	
<b>POLEDRIIVE</b> (set in the bottom of the pole)	<input type="radio"/>	<input type="radio"/>	

BACKLIGHT SHIELD



Backlight shield SEOLED version

Backlight shield ORALED version

MAINTENANCE

Opening and closing

Opening of the luminaire without tools by pressing the button incorporated into the luminaire body. {1}  
The luminaire is held in the open position by a safety prop. {2}

LED module maintenance

Direct access to the module, removable.  
Power supply by quick connectors.



(1) Backlight shield optional except for EPD, EPG, ECa

(2) Preconfigured communicating system: Wired Sensor Ready type driver and Zhaga consortium base. Be sure to hold the connector when installing the module

Glossary:

● Standard ○ Option - Not available

**E/L/P:** Lighting/Luminance/Projection, **R/C/T/F/P:** Road/Circulation/Path/Beam/Pedestrian walkway, **E/S/L/A/D/G:** Narrow/Standard/Wide/Asymmetric/Right/Left, **POLEDRIIVE:** preset at the bottom of the pole / night dimming calculator with 2 configurable thresholds, set in the bottom of the pole, **Dimming 5:** night dimming calculator with 5 configurable thresholds, **Motion:** moving sensor, **Motion P:** Configurable offset presence detector at the foot of the pole, **Motion DALI:** Detector integrated to the luminaire, adjustable at pole base, **Motion 5:** Motion sensor and dimming calculator, **Motion COM:** Wireless detection and communication, **DALI:** compatible with the DALI protocol, **CLO:** Constant Lumen Output option

*LED Luminaires*

Modern Streetfurniture

Waste bins

**Bollards Light**

**tree grill**

Bollards

Classic poles cast iron

Steel poles

MODERN POLES CAST IRON

Defence bollards

Drinkwater fountain

**SEATING**

TRAMWAY POLES

Modern LED luminaires

Classic luminaires

Classic street furniture

**Ghm**

Rue Antoine Durenne  
52220 Sommevoire  
France  
Tel nr. 0033 3 25 55 23 03

**ECLATEC**

41 rue Lafayette  
54320 Maxeville  
France  
Tel nr. 0033 3 83 39 38 28

Export internet : [www.ghm-eclatec.com](http://www.ghm-eclatec.com)

Email export: [info@ghm-eclatec.com](mailto:info@ghm-eclatec.com)